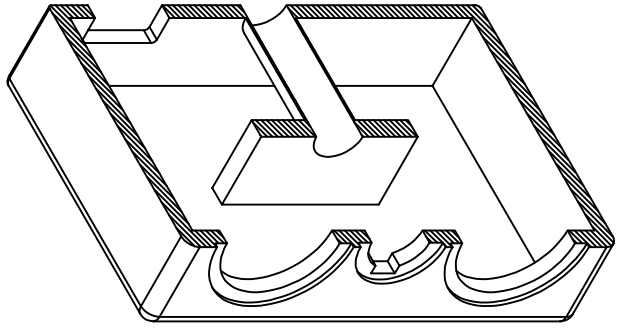


MATERIALE: 3/4" MDF – topp, bottom and sides
 1" MDF – front and inside baffel



Endringer		Dato	Sign.																				
Ant.																							
<table border="1"> <thead> <tr> <th colspan="2">Benevnelse</th> <th>Dato</th> <th>Sign.</th> </tr> </thead> <tbody> <tr> <td>Tegnet</td> <td></td> <td>05.10.2001</td> <td>T.J.</td> </tr> <tr> <td>Kontrollert</td> <td></td> <td></td> <td></td> </tr> <tr> <td>Godkjent</td> <td></td> <td></td> <td></td> </tr> <tr> <td>Mdestokk</td> <td></td> <td></td> <td></td> </tr> </tbody> </table>				Benevnelse		Dato	Sign.	Tegnet		05.10.2001	T.J.	Kontrollert				Godkjent				Mdestokk			
Benevnelse		Dato	Sign.																				
Tegnet		05.10.2001	T.J.																				
Kontrollert																							
Godkjent																							
Mdestokk																							
Nr.		Tegn.nr.	Matr.																				
Bemærkning																							
<p style="text-align: center;">SEAS FABRIKKER A.S.</p>		<p style="text-align: center;">K00219</p>																					
Erstating for:		K00219																					
Erstattet av:																							

CABINET
ODIN MK 3