

White Diamond T29D001 E0100

The T29D001, "White Diamond" is a 26mm pure Diamond dome tweeter with a patented Neodymium based magnet system. This is the ultimate tweeter for clean, uncoloured and natural sound. Pure fidelity.

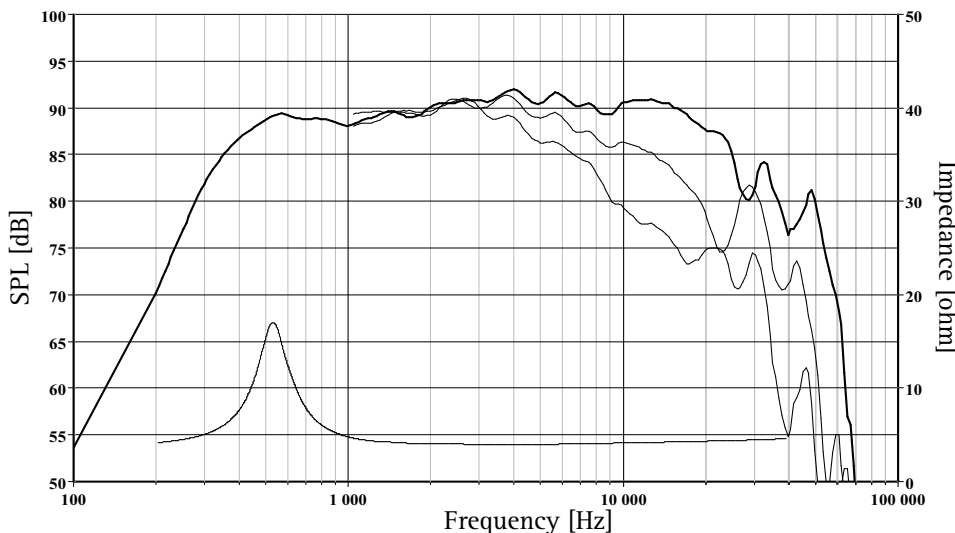
The Diamond material is extremely stiff, and makes it the natural first choice of dome materials. It works as a perfect piston all the way to 55 kHz. This very high break-up frequency of the dome keeps the distortion far away from the audible range for unprecedented sound.

A unique HEXADYM patented magnet system based on 6 radially magnetized NdFeb magnet blocks. Efficient ventilation and damping of every potentially resonant cavity behind the dome, surround and voice coil. Precisely mounted copper sleeve reduces non linear and modulation distortion. The fine cuts of the acrylic rear chamber help scatter the internal sound waves with a minimum of damping. Together with the non-resonant magnet system, this provides the high dynamic response of the tweeter.

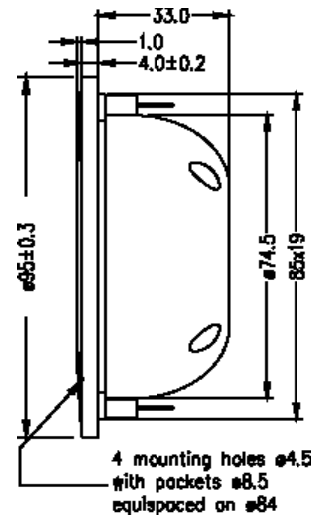
A homogenous, linear surround manufactured by SEAS from SONOLEX, a lightweight fabric with high consistency and climatic stability.

A high temperature voice coil wound on a titanium former for lowering distortion. Flexible lead-out wires which ensure a good connection between voice coil and terminals. This arrangement also helps to prevent lead breakage due to the large excursions encountered when low crossover frequencies are used.

Corian front plate with small horn loading for smooth frequency response, maximum stability and smooth appearance.



The frequency responses above show measured free field sound pressure in 0, 30, and 60 degrees, mounted in a 0.6m by 0.8m baffle. Input 2.83 VRMS, microphone distance 0.5m, normalized to SPL 1m. The impedance is measured without baffle using a 2V sine signal.



Nominal Impedance	4 Ohms	Voice Coil Resistance	3.8 Ohms
Recommended Frequency Range	1.8 - 50 kHz	Voice Coil Inductance	0.01 mH
Short Term Power Handling *	150 W	Force Factor	2.5 N/A
Long Term Power Handling *	55W	Free Air Resonance	530 Hz
Characteristic Sensitivity (2.83V, 1m)	91.0 dB	Moving Mass	0.36 g
Voice Coil Diameter	26 mm	Effective Piston Area	8 cm ²
Voice Coil Height	1.1 mm	Magnetic Gap Flux Density	1.6 T
Air Gap Height	2.5 mm	Magnet Weight	53 g
Linear Coil Travel (p-p)	1.4 mm	Total Weight	0.3 kg