

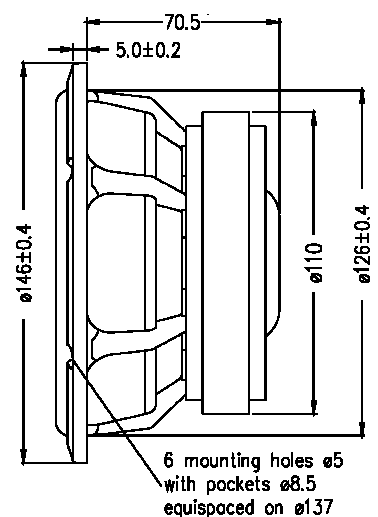
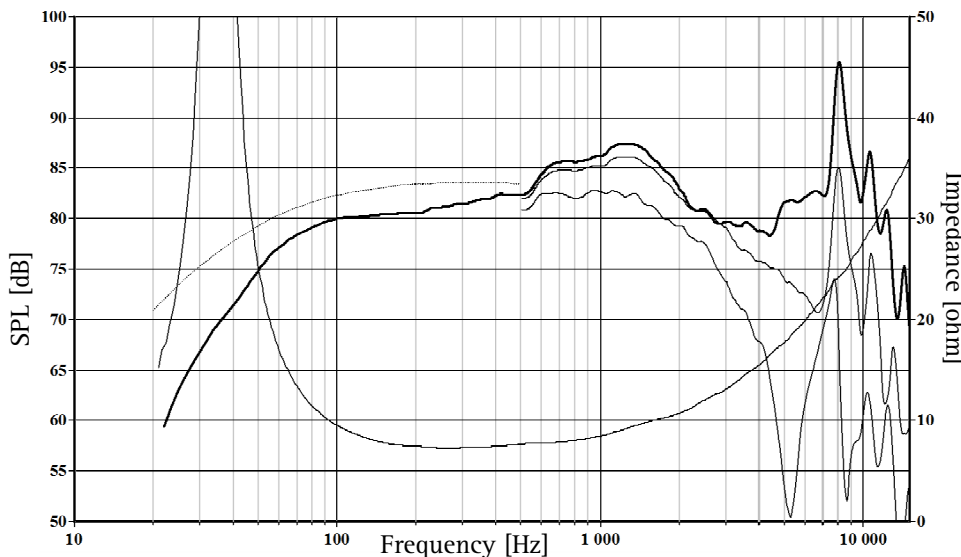
L16RNX3 is a High Fidelity woofer with an injection moulded metal chassis, intended for bass reflex and closed box designs.

Optimized cone design combined with the stiff and light weight aluminium gives a high break-up point to allow for easier crossover design and wider bandwidth than common aluminium cones.

Titanium voice coil former with a very long copper coil winding and a bumped back-plate for excellent force transfer, transient sound reproduction and large linear excursion.

A heavy copper ring below the T-shaped pole piece reduces non linear and modulation distortion.

Extremely stiff and stable injection moulded metal basket, keeps the critical components in perfect alignment. Large windows in the basket both above and below the spider reduce sound reflection, air flow noise and cavity resonance to a minimum.



The frequency responses above show measured free field sound pressure in 0, 30, and 60 degrees angle using a 60L closed box. Input 2.83 VRMS, microphone distance 0.5m, normalized to SPL 1m. The dotted line is a calculated response in infinite baffle based on the parameters given for this specific driver. The impedance is measured in free air without baffle using a 2V sine signal.

Nominal Impedance	4 Ohms	Voice Coil Resistance	3.15 Ohms
Recommended Frequency Range	100 - 20000 Hz	Voice Coil Inductance	0.56 mH
Short Term Power Handling *	100 W	Force Factor	3.02 N/A
Long Term Power Handling *	40 W	Free Air Resonance	102.5 Hz
Characteristic Sensitivity (2,83V, 1m)	85.4 dB	Moving Mass	4.5 g
Voice Coil Diameter	19 mm	Air Load Mass In IEC Baffle	0.14 g
Voice Coil Height	8 mm	Suspension Compliance	0.5 mm/N
Air Gap Height	4 mm	Suspension Mechanical Resistance	0.99 Ns/m
Linear Coil Travel (p-p)	4 mm	Effective Piston Area	38.5 cm ²
Maximum Coil Travel (p-p)	7.9 mm	VAS	1 Litres
Magnetic Gap Flux Density	0.9 T	QMS	3.56
Magnet Weight	0.09 kg	QES	1
Total Weight	0.36 kg	QTS	0.78