



# H 107

## 1" Dome H 107, High Fidelity Dome Tweeter

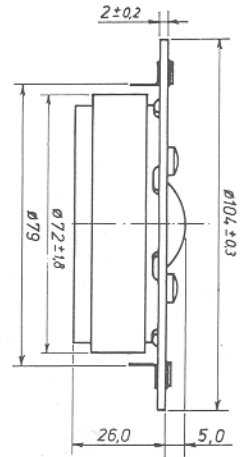
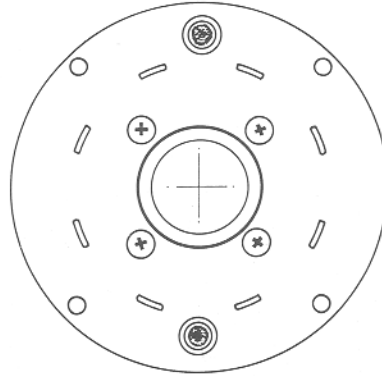
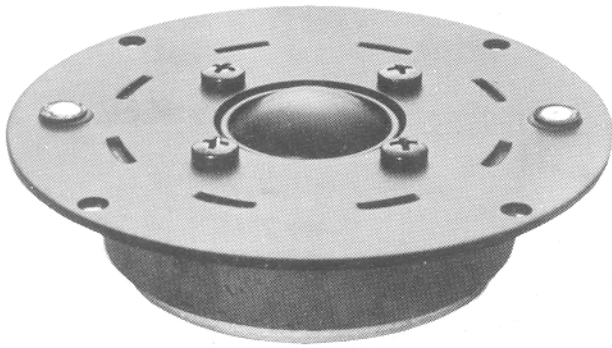
*Chassis: aluminium, black.*

*Diaphragm: soft dome, polyamide, black.*

*Mounting holes: 4 x 5 mm, equispaced on PCD 95 mm.*

The H 107 is a 1" dome tweeter featuring high efficiency and smooth response in its operating range. With proper filtering the H 107 can be used in two way systems with more than 50 W power handling capacity.

The soft diaphragm of the H 107 is vacuum formed from a high loss plastic foil with a shape optimized for the high frequency range.



### Technical data:

**8 ohms**

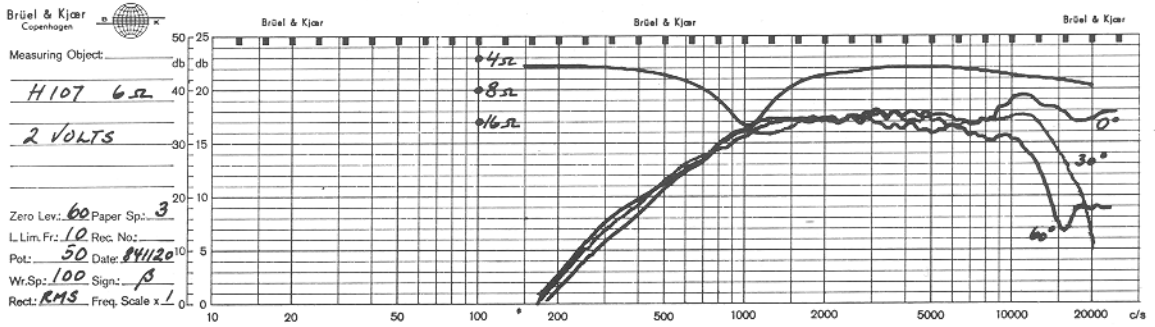
Recommended frequency range	3000-25 000	Hz	Voice coil resistance:	4,8	ohms
Nominal power (DIN 45573)	50	W 1)	Effective diaphragm area	7	cm <sup>2</sup>
Music power (DIN 45500)	-	W	Moving mass	0,3	g
Characteristic sensitivity (1m,1w)	91	dB SPL	Free air resonance	1000	Hz
Operating power (DIN 45500):	3,2	W	Weight	0,56	kg
Voice coil diameter	26	mm	Magnet weight	0,25	kg
Voice coil height	1,5	mm			
Air gap height	2,0	mm			
Flux density:	1,8	T			
Force factor	3,5	Wb/m			

1) Crossover frequency 4000 Hz, 12 dB/oct.

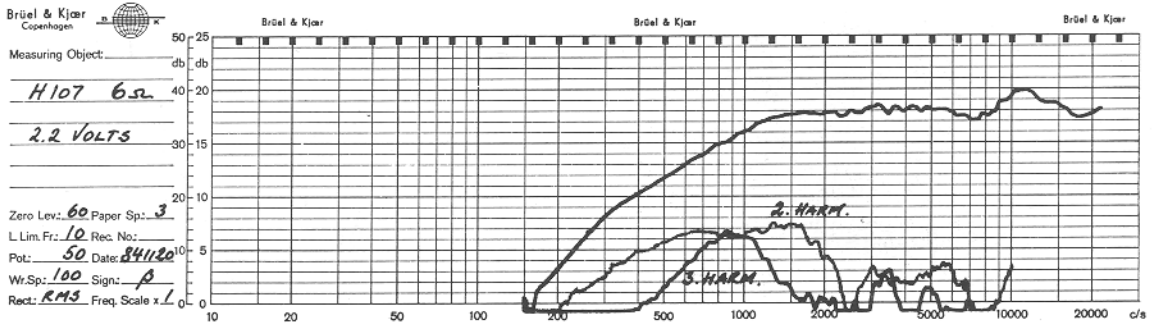
### NOTES:

Response curves recorded in anechoic chamber (Free-Field,  $4\pi$ -radiation) with 0.5 m microphone distance. The loudspeaker is mounted in a 0.6 m by 0.8 m baffle:

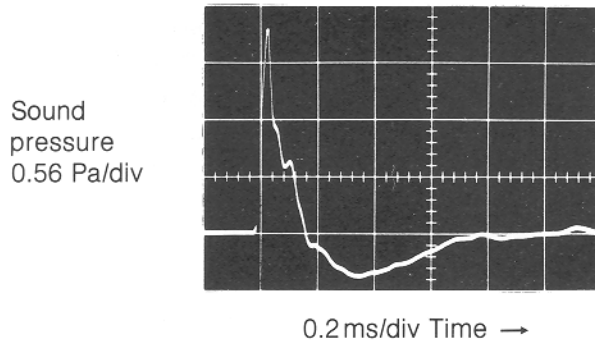
A Sound pressure on and off axis, and impedance:



B Sound pressure and distortion on axis. The distortion components are raised by 20 dB:



C Sound pressure response to 4 Volts step function:



Seas Fabrikker a.s  
 P.O.Box 600, Høyden, N-1501 Moss, Norway  
 Phone +47-32-65 811  
 Telex N 18419

Note: New telex no. 78419 SEAS N from June 20. 1985