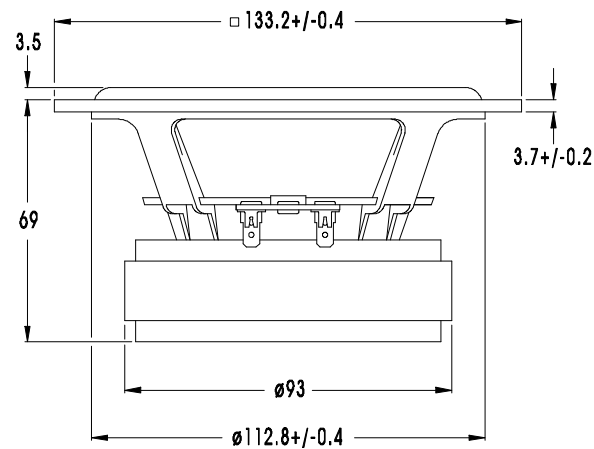
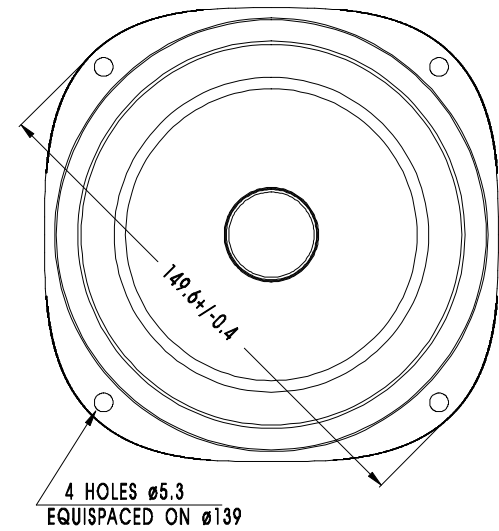




# WOOFER W14CY-001

E 008



The W14CY-001 is a 5" cone driver developed for use as a high fidelity Woofer or Woofer/Midrange unit. The extremely stiff, yet light cone gives tremendous bass precision and midrange detail.

### SPECIAL FEATURES:

Precision cast and surface treated magnesium cone coupled to a natural rubber surround showing no sign of midrange (edge) resonances.

Large magnet system for improved sensitivity and transient response.

Heavy copper rings mounted above and below the T-shaped pole piece, to reduce non linear and modulation distortion and to increase overload margin.

Copper plating of the top and bottom plates and a solid copper phase plug, which enhance the performance of the copper rings and improve heat conduction away from the pole piece.

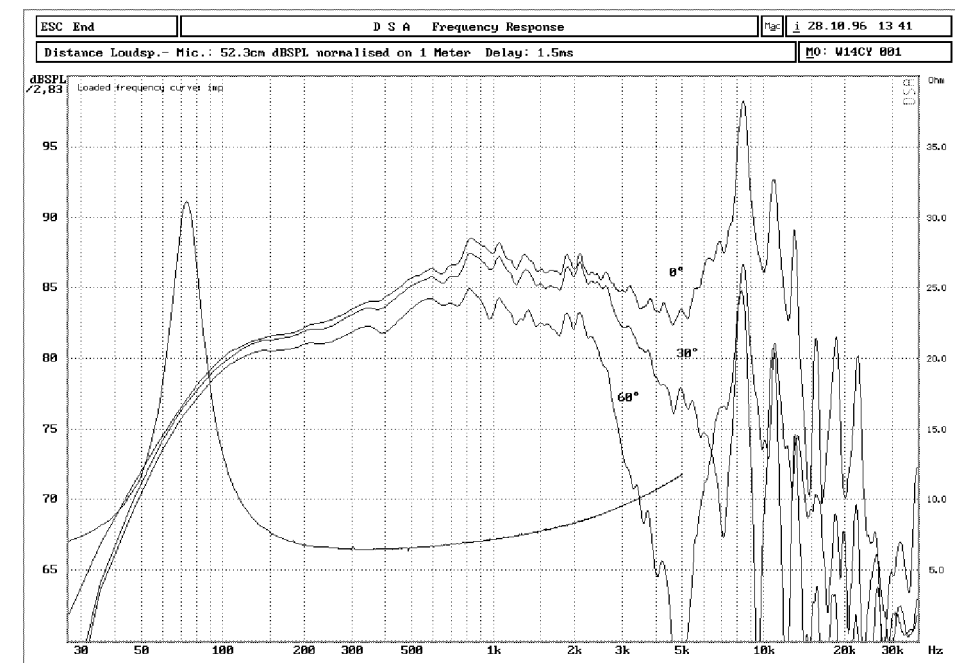
Gold plated terminals mounted on a stiff bakelite plate to reduce contact resistance and improve reliability.

Stiff and stable injection moulded metal basket to keep the critical components in perfect alignment.

NOMINAL IMPEDANCE	8 Ohms	VOICE COIL RESISTANCE	5.4 Ohms
RECOMMENDED FREQUENCY RANGE	50-3000 Hz	VOICE COIL INDUCTANCE (EQUIVALENT)	0.37 mH
SHORT TERM MAXIMUM POWER *	200 W	FORCE FACTOR	5,8 N/A
LONG TERM MAXIMUM POWER*	70 W	FREE AIR RESONANCE	43 Hz
CHARACTERISTIC SENSITIVITY (1W, 1m)	87 dB SPL	MOVING MASS	9,6 g
OPERATING POWER (96 dB SPL, 1 m)	8,0 W	AIR LOAD MASS IN IEC BAFFLE	0,6 g
VOICE COIL DIAMETER	26 mm	SUSPENSION COMPLIANCE	1,4 mm/N
VOICE COIL HEIGHT	14 mm	SUSPENSION MECHANICAL RESISTANCE	1,5 Ns/m
AIR GAP HEIGHT	6,0 mm	EFFECTIVE PISTON AREA	75 sq.cm
LINEAR COIL TRAVEL (p-p)	8,0 mm	VAS	10,6 Litres
MAXIMUM COIL TRAVEL (p-p)	14 mm	QMS	1,80
MAGNETIC GAP FLUX DENSITY	1,10 T	QES	0,44
MAGNET WEIGHT	0,42 Kg	QTS	0,36
TOTAL WEIGHT	1,25 Kg		

\* IEC 268-5

Response curve recorded in anechoic chamber (Free-field, 4 pi radiation) with 0.5m microphone distance.  
The loudspeaker is mounted in a closed box of 7.0 l net. volume



Distortion on axis in % between 25 and 2000 Hz at operating power.

