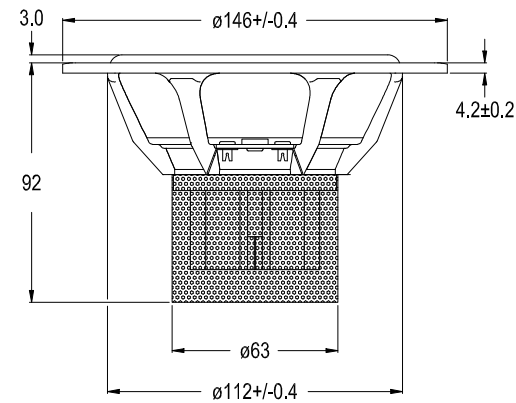
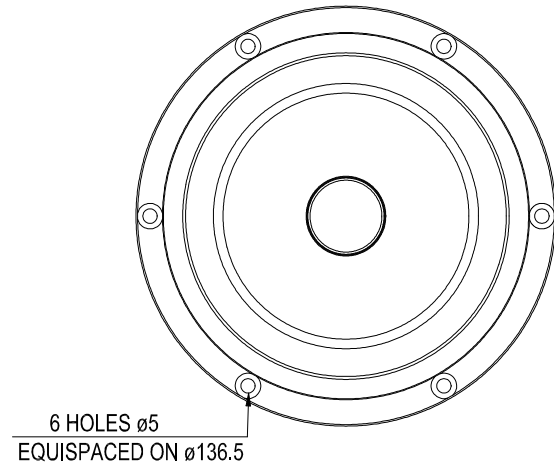




MIDRANGE M15CH001 E 0016



M15CH001 E0016

The M15CH001 is a 5" cone midrange driver capable of reproducing sound in a neutral, transparent way. The low distortion and noise generated by this driver set a new standard for midrange units.

SPECIAL FEATURES:

Perfectly matched polypropylene cone and high loss rubber surround for low colouration in the critical midband.

Patented Hexadym magnet system of acoustically transparent design to avoid cavity resonances and air flow noise. The magnet system based on 6 small, radially magnetized Neodymium blocks is compact to reduce the reflexion of sound energy to a minimum.

Heavy copper rings mounted above and below the T-shaped pole piece, to reduce non linear and modulation distortion and to increase overload margin.

A solid copper phase plug to enhance the performance of the copper rings and improve heat conduction away from the pole piece.

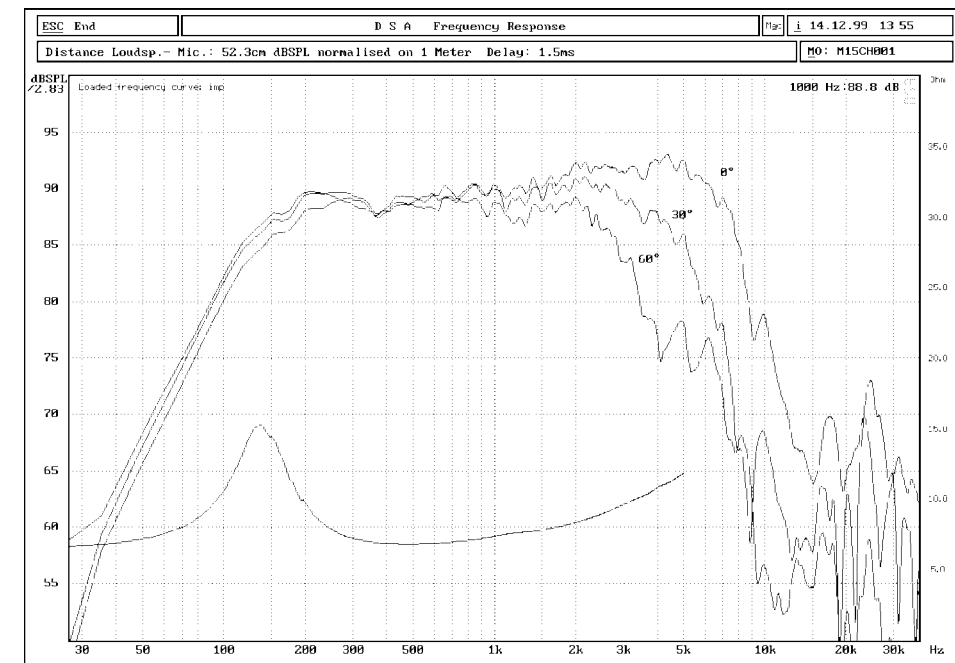
Gold plated terminals mounted on a stiff glass fibre reinforced plate to reduce contact resistance and improve reliability.

Extremely stiff and stable injection moulded metal basket to keep the critical components in perfect alignment. Large windows in the basket both above and below the spider to reduce sound reflexion, air flow noise and cavity resonance to a minimum.

NOMINAL IMPEDANCE	8 Ohms	VOICE COIL RESISTANCE	5.7 Ohms
RECOMMENDED FREQUENCY RANGE	150-3000 Hz	VOICE COIL INDUCTANCE (EQUIVALENT)	0.31 mH
SHORT TERM MAXIMUM POWER *	300 W	FORCE FACTOR	5,5 N/A
LONG TERM MAXIMUM POWER*	100 W	FREE AIR RESONANCE	54 Hz
CHARACTERISTIC SENSITIVITY (1W, 1m)	90 dB SPL	MOVING MASS	5,8 g
OPERATING POWER (96 dB SPL ,1 m)	4.0 W	AIR LOAD MASS IN IEC BAFFLE	0.6 g
VOICE COIL DIAMETER	26 mm	SUSPENSION COMPLIANCE	1.4 mm/N
VOICE COIL HEIGHT	8,0 mm	SUSPENSION MECHANICAL RESISTANCE	1.9 Ns/m
AIR GAP HEIGHT	6.0 mm	EFFECTIVE PISTON AREA	75 sq.cm
LINEAR COIL TRAVEL (p-p)	2.0 mm	VAS	10,9 Litres
MAXIMUM COIL TRAVEL (p-p)	14 mm	QMS	1.10
MAGNETIC GAP FLUX DENSITY	1.0 T	QES	0.41
MAGNET WEIGHT	0.06 Kg	QTS	0.30
TOTAL WEIGHT	0,80 Kg		

* IEC 268-5 VIA HIGH PASS BUTTERWORTH FILTER: 250 Hz 6 dB/oct.

Response curve recorded in anechoic chamber (Free-field, 4 pi radiation) with 0.5m microphone distance. The loudspeaker, with a 1.7 l rear enclosure, is mounted in a standard IEC baffle



Distortion on axis in % between 25 and 2000 Hz at operating power.

