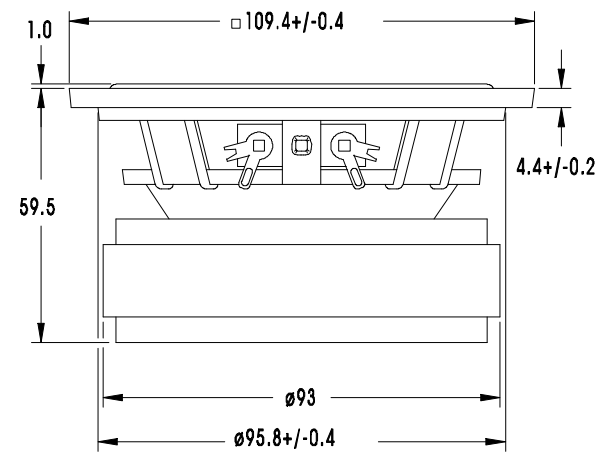
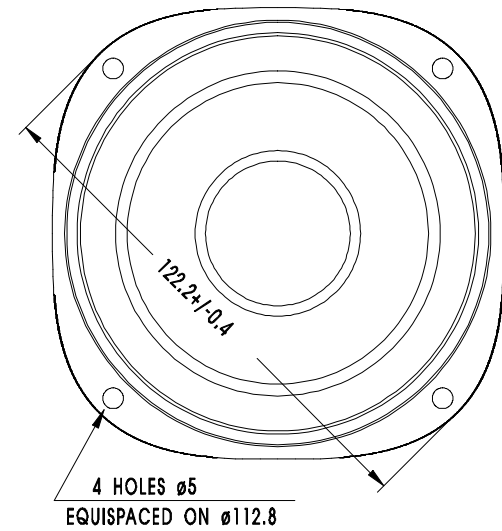


## WOOFER

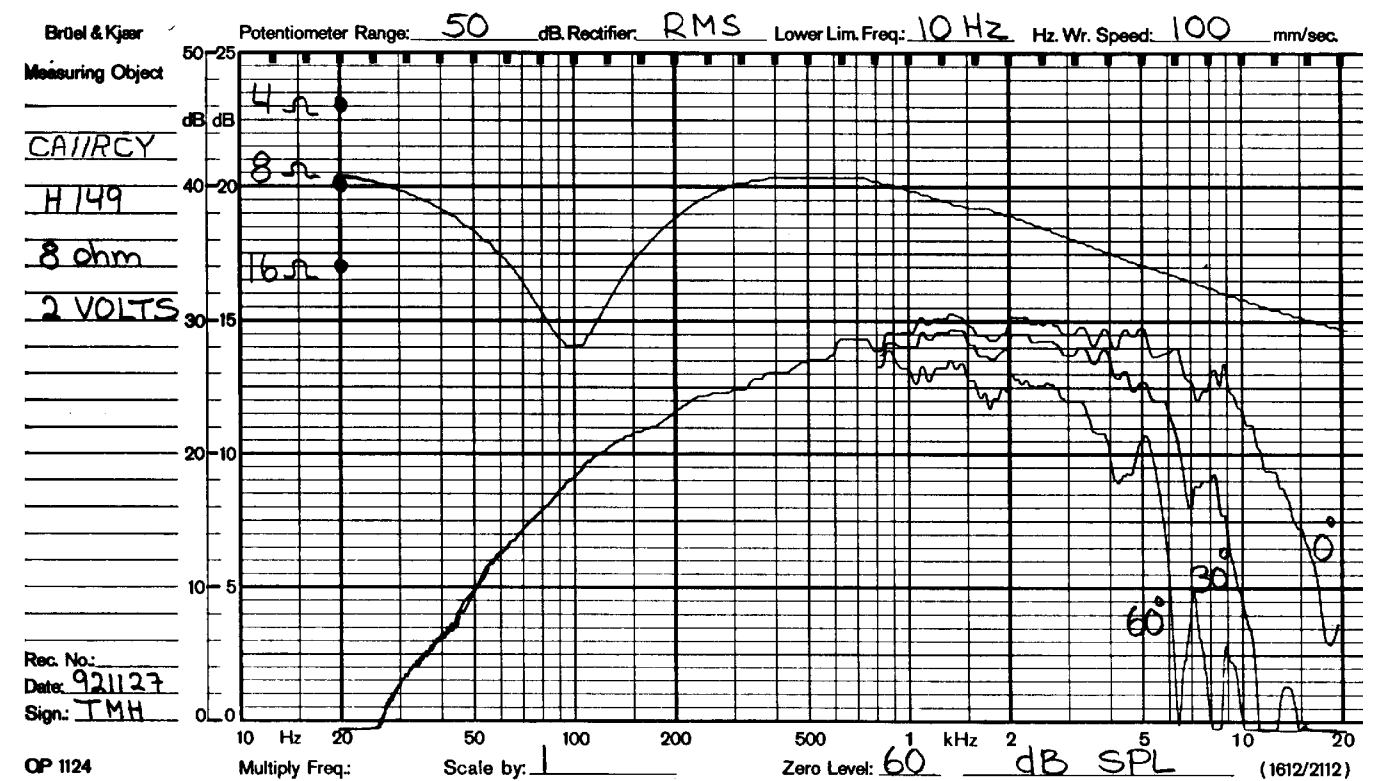
## CA11RCY



CA11RCY, (11 F-GX) is a 4.5" High Fidelity mini woofer with a stiff and stable injection moulded metal chassis. A natural rubber surround and handcoated paper cone with coated fabric dust cap, reduce resonances and distortion. Excellent linearity is achieved with a large magnet system and a symmetrical driving force accomplished with a special winding technique for the voice coil. A very large magnet system provides a reasonable efficiency and a low Q.

### NOTES

Response curve recorded in anechoic chamber (Free-field, 4 pi radiation) with 0.5m microphone distance. The loudspeaker is mounted in a closed box of 2.5 l net. volume



NOMINAL IMPEDANCE	8 Ohms	VOICE COIL RESISTANCE	6.4 Ohms
RECOMMENDED FREQUENCY RANGE	45-5000 Hz	VOICE COIL INDUCTANCE (EQUIVALENT)	0.55 mH
SHORT TERM MAXIMUM POWER *	200 W	FORCE FACTOR	7.0 N/A
LONG TERM MAXIMUM POWER*	60 W	FREE AIR RESONANCE	58 Hz
CHARACTERISTIC SENSITIVITY (1W, 1m)	86 dB SPL	MOVING MASS	5.7 g
OPERATING POWER (96 dB SPL, 1 m)	10.0 W	AIR LOAD MASS IN IEC BAFFLE	0.2 g
		SUSPENSION COMPLIANCE	1.3 mm/N
VOICE COIL DIAMETER	26 mm	SUSPENSION MECHANICAL RESISTANCE	1.4 Ns/m
VOICE COIL HEIGHT	12/8 mm	EFFECTIVE PISTON AREA	55 sq.cm
AIR GAP HEIGHT	6.0 mm		
LINEAR COIL TRAVEL (p-p)	6.0 mm		
MAXIMUM COIL TRAVEL (p-p)	9 mm	VAS	5.4 Litres
MAGNETIC GAP FLUX DENSITY	1.25 T	QMS	1.54
MAGNET WEIGHT	0.42 Kg	QES	0.28
TOTAL WEIGHT	1.21 Kg	QTS	0.24

\* = IEC 268-5