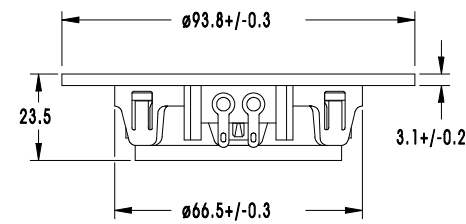
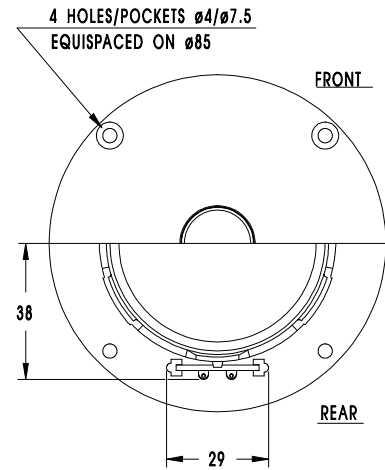


TWEETER

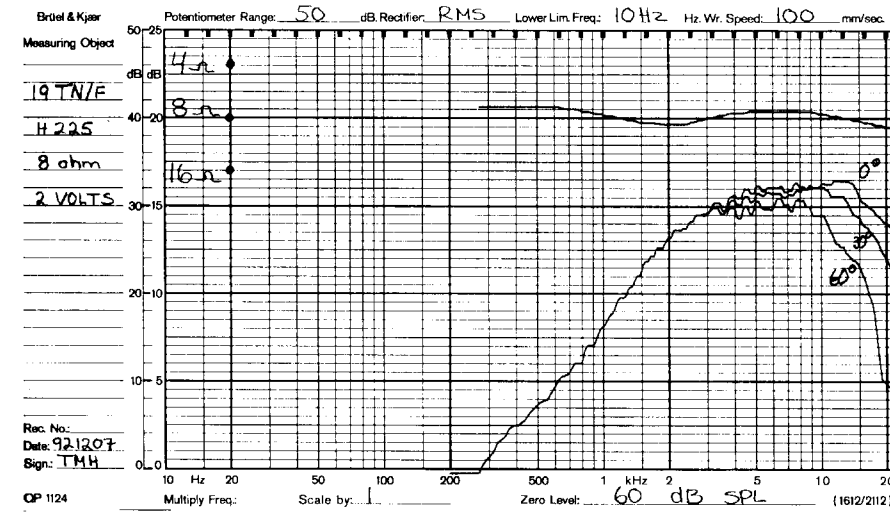
19TNF



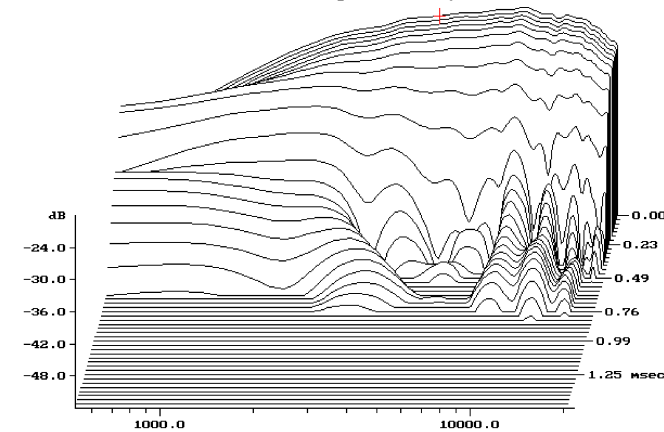
19mm High Fidelity dome tweeter with a specially designed soft diaphragm. The chassis is injection moulded in glass fibre reinforced plastic. The unit features high efficiency and wide dispersion due to a moderate horn loading and a small diaphragm. The voice coil windings are immersed in magnetic fluid to increase short term power handling capacity, to reduce the compression at high power levels and to significantly reduce the Q factor.

NOTES

Response curve recorded in an anechoic chamber (Free-field, 4 pi radiation) with 0.5m microphone distance. The loudspeaker is mounted in a 0.6m by 0.8m baffle.



Cumulative spectral decay



NOMINAL IMPEDANCE	8 Ohms	VOICE COIL RESISTANCE	6.2 Ohms
RECOMMENDED FREQUENCY RANGE	4000-20000 Hz	VOICE COIL INDUCTANCE (EQUIVALENT)	0.05 mH
SHORT TERM MAXIMUM POWER*	200 W	VOICE COIL DIAMETER	19.5 mm
LONG TERM MAXIMUM POWER*	80 W	VOICE COIL HEIGHT	1.5 mm
CHARACTERISTIC SENSITIVITY (1W, 1m)	90 dB SPL	MOVING MASS	0.20 g
OPERATING POWER (96 dB SPL, 1 m)	4.0 W	EFFECTIVE PISTON AREA	4.0 sq.cm
AIR GAP HEIGHT	2.0 mm	LINEAR COIL TRAVEL (p-p)	0.5 mm
MAGNETIC GAP FLUX DENSITY	1.4 T	FREE AIR RESONANCE	1700 Hz
FORCE FACTOR	2.6 N/A		
MAGNET WEIGHT	0.12 Kg		
TOTAL WEIGHT	0.30 Kg		

* IEC 268-5, VIA HIGH PASS BUTTERWORTH FILTER: 5000 Hz 12 dB/oct.