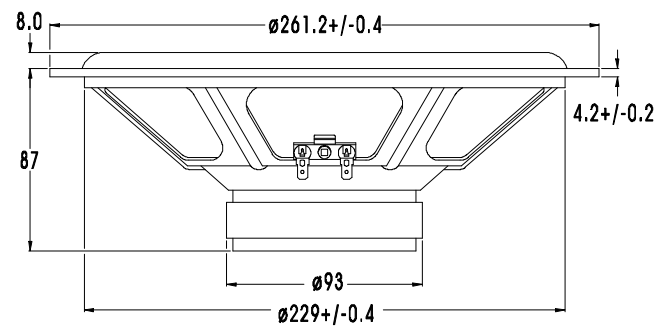
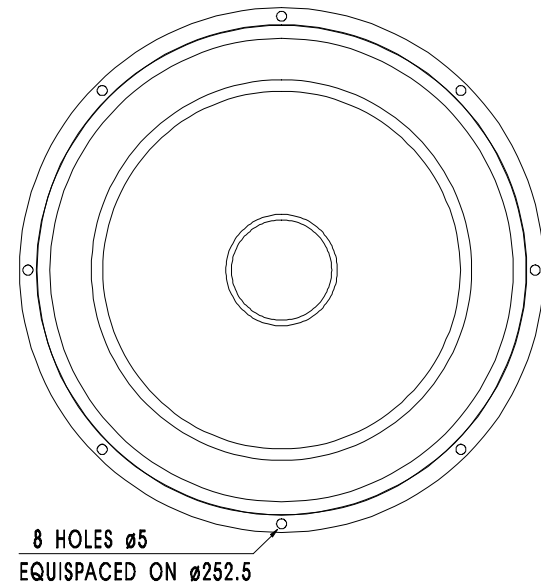


WOOFER

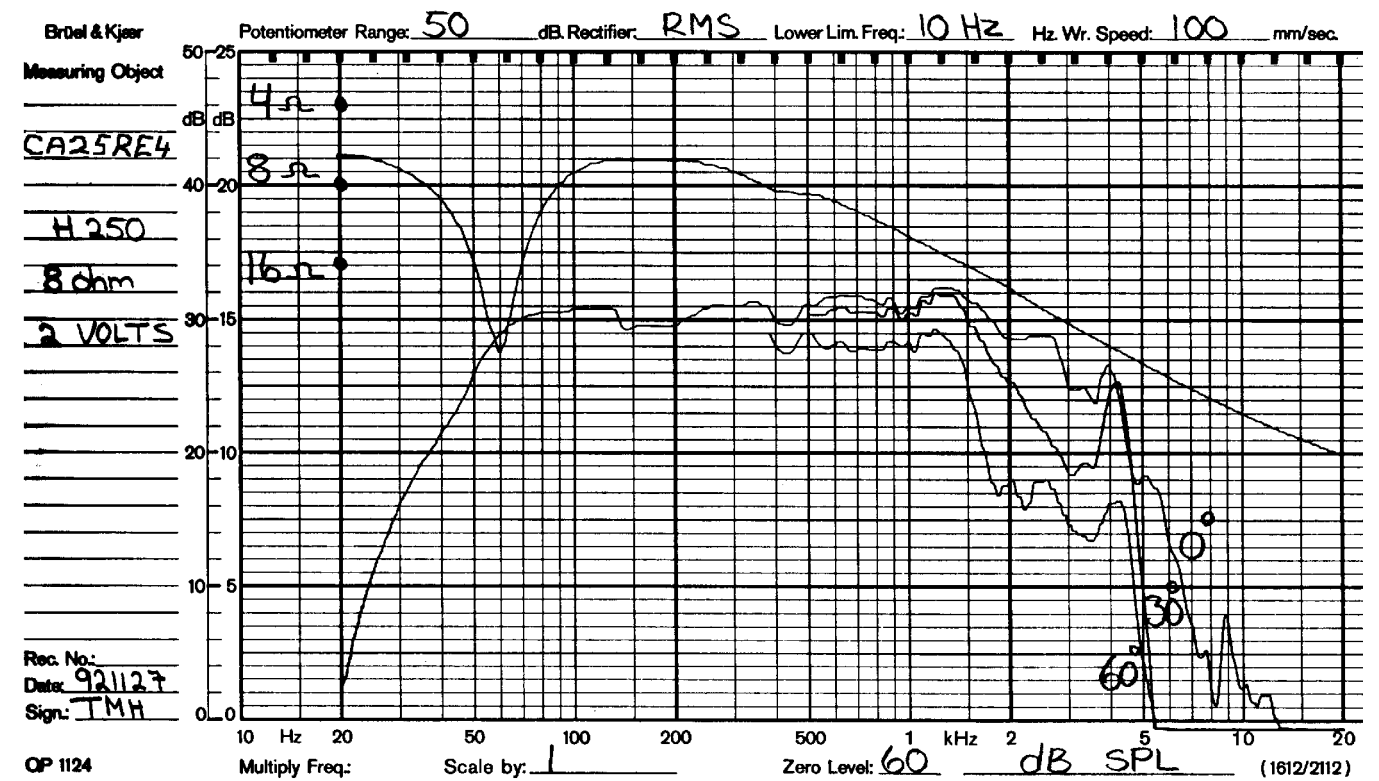
CA25RE4



CA25RE4 is a 10" High Fidelity woofer with an injection moulded metal chassis. This unit has excellent mechanical matching between paper cone, paper dust cap and low loss rubber surround. A special treatment of the cone together with a four layer voice coil provide a well behaved roll off characteristic and reduce potential resonance problems. The magnet system has a T-shaped cross section of the pole piece for low modulation distortion. A relatively large voice coil diameter gives a high power handling capacity.

NOTES

Response curve recorded in anechoic chamber (Free-field, 4 pi radiation) with 0.5m microphone distance. The loudspeaker is mounted in a closed box of 28 l net volume.



NOMINAL IMPEDANCE	8 Ohms	VOICE COIL RESISTANCE	5.8 Ohms
RECOMMENDED FREQUENCY RANGE	30-1500 Hz	VOICE COIL INDUCTANCE (EQUIVALENT)	1.6 mH
SHORT TERM MAXIMUM POWER *	300 W	FORCE FACTOR	9.5 N/A
LONG TERM MAXIMUM POWER *	80 W	FREE AIR RESONANCE	24 Hz
CHARACTERISTIC SENSITIVITY (1W,1m)	89 dB SPL	MOVING MASS	36 g
OPERATING POWER (96 dB SPL ,1 m)	5.0 W	AIR LOAD MASS IN IEC BAFFLE	4.0 g
		SUSPENSION COMPLIANCE	1.2 mm/N
VOICE COIL DIAMETER	39 mm	SUSPENSION MECHANICAL RESISTANCE	1.6 Ns/m
VOICE COIL HEIGHT	14 mm	EFFECTIVE PISTON AREA	350 sq.cm
AIR GAP HEIGHT	6.0 mm		
LINEAR COIL TRAVEL (p-p)	8.0 mm	VAS	188.6 Litres
MAXIMUM COIL TRAVEL (p-p)	20 mm	QMS	3.77
MAGNETIC GAP FLUX DENSITY	0.75 T	QES	0.39
MAGNET WEIGHT	0.42 Kg	QTS	0.35
TOTAL WEIGHT	1.77 Kg		

* = IEC 268-5