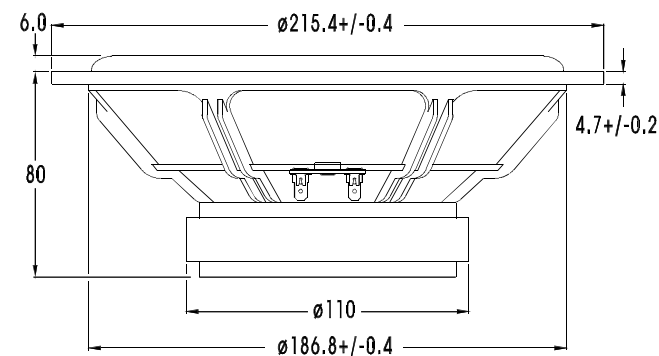
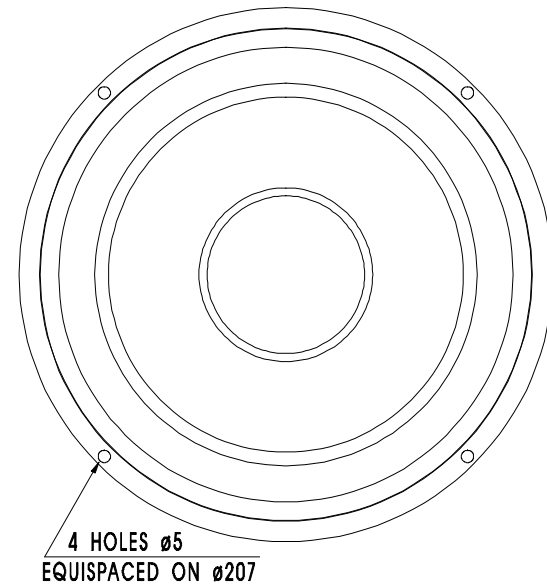


WOOFER

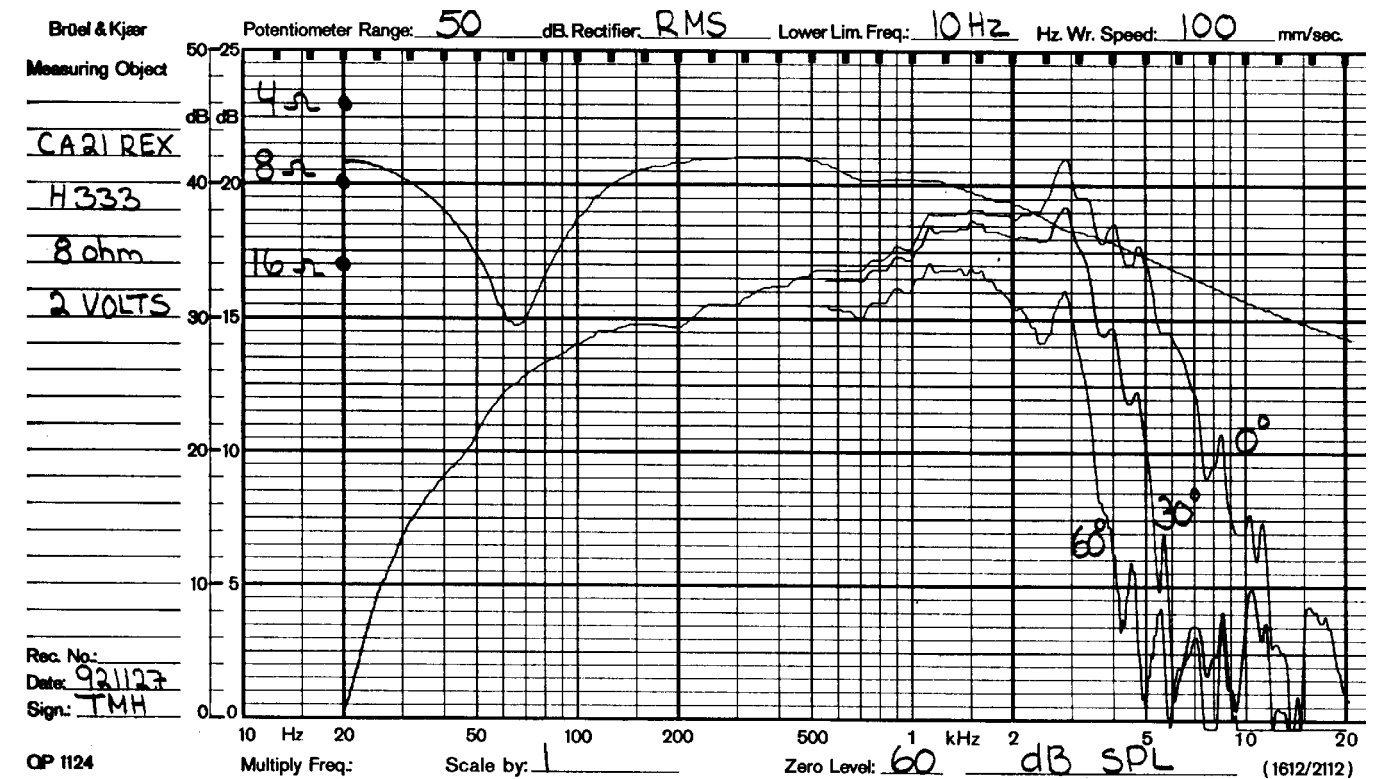
CA21REX



CA21REX is an 8" High Fidelity woofer with an injection moulded metal chassis. This unit has excellent mechanical matching between a paper cone, a paper dust cap and a low loss rubber surround. A special treatment of the cone produces a well behaved roll off characteristic and reduces potential resonance problems. The magnet system has a T-shaped cross section of the pole piece for low modulation distortion. A relatively large voice coil diameter gives a high power handling capacity. A large magnet system provides high efficiency and low Q. This unit is also available with SEAS patented Dynamic Damping (DD), which improves low bass transient behaviour at high power levels. (CA21REX/DD H 394).

NOTES

Response curve recorded in anechoic chamber (Free-field, 4 pi radiation) with 0.5m microphone distance. The loudspeaker is mounted in a closed box of 20 l net volume.



NOMINAL IMPEDANCE	8 Ohms	VOICE COIL RESISTANCE	6.1 Ohms
RECOMMENDED FREQUENCY RANGE	32-3000 Hz	VOICE COIL INDUCTANCE (EQUIVALENT)	0.6 mH
SHORT TERM MAXIMUM POWER *	250 W	FORCE FACTOR	8.5 N/A
LONG TERM MAXIMUM POWER *	80 W	FREE AIR RESONANCE	31 Hz
CHARACTERISTIC SENSITIVITY (1W,1m)	93 dB SPL	MOVING MASS	22 g
OPERATING POWER (96 dB SPL ,1 m)	2.0 W	AIR LOAD MASS IN IEC BAFFLE	2.0 g
		SUSPENSION COMPLIANCE	1.2 mm/N
VOICE COIL DIAMETER	39 mm	SUSPENSION MECHANICAL RESISTANCE	1.8 Ns/m
VOICE COIL HEIGHT	12 mm	EFFECTIVE PISTON AREA	230 sq.cm
AIR GAP HEIGHT	6.0 mm		
LINEAR COIL TRAVEL (p-p)	6.0 mm	VAS	81.3 Litres
MAXIMUM COIL TRAVEL (p-p)	19 mm	QMS	2.60
MAGNETIC GAP FLUX DENSITY	1.0 T	QES	0.39
MAGNET WEIGHT	0.64 Kg	QTS	0.34
TOTAL WEIGHT	1.89 Kg		

* = IEC 268-5