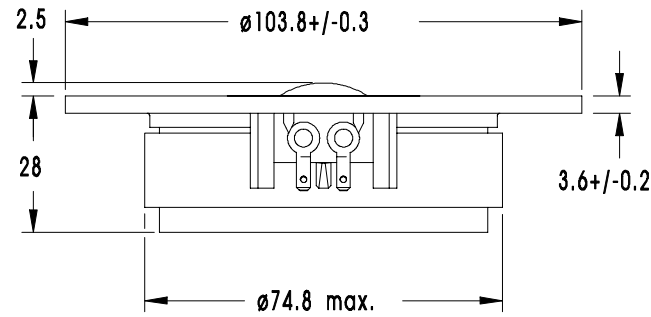
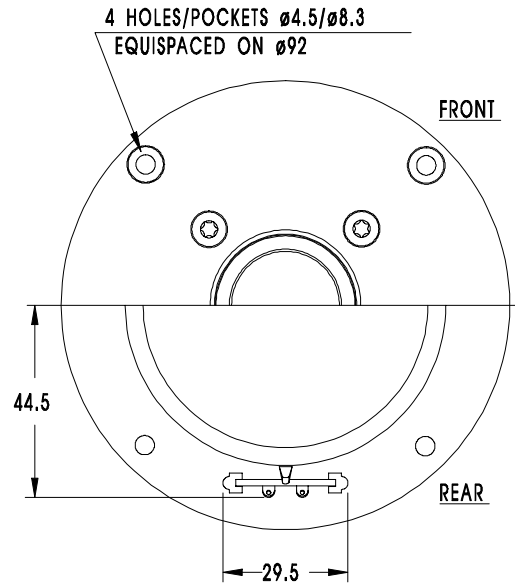


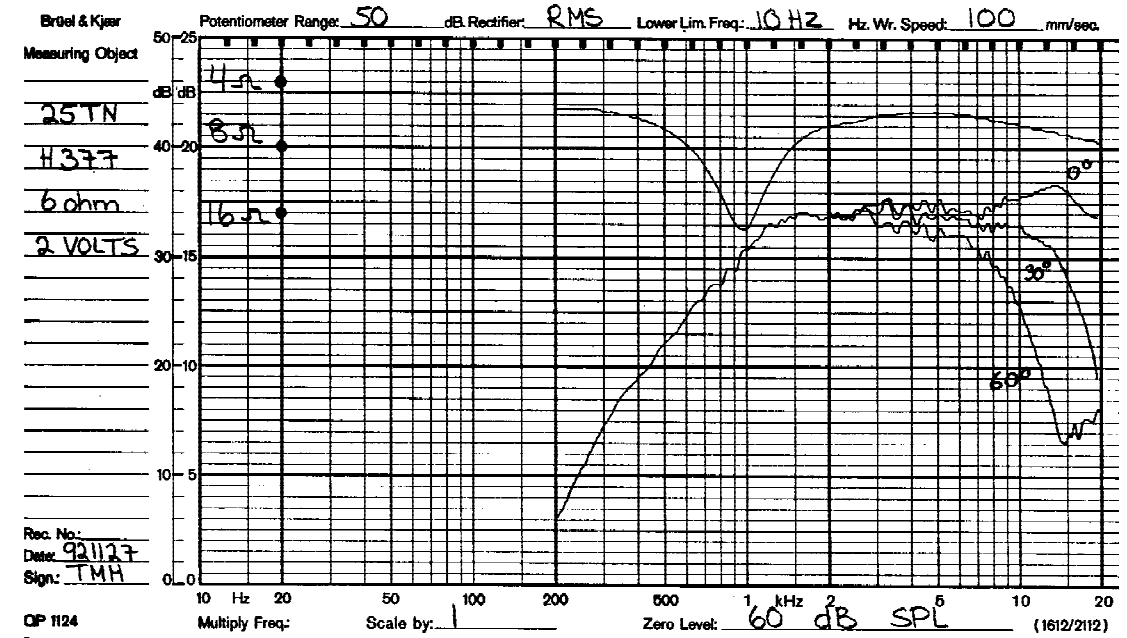
TWEETER

25TN

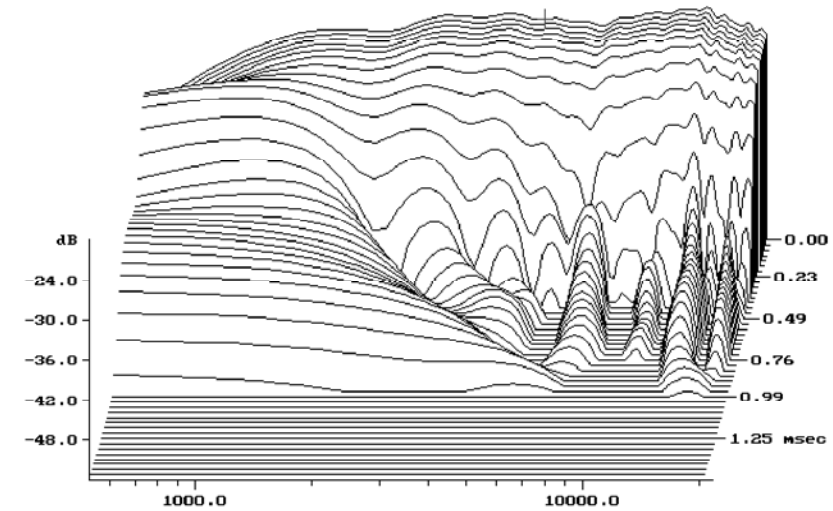


25mm High Fidelity dome tweeter with glass fibre reinforced plastic chassis. The unit features high efficiency and smooth frequency response. The optimally shaped dome diaphragm is vacuum formed from a special soft material.

NOTES



Cumulative spectral decay



NOMINAL IMPEDANCE	6 Ohms	VOICE COIL RESISTANCE	4.8 Ohms
RECOMMENDED FREQUENCY RANGE	3000-25000 Hz	VOICE COIL INDUCTANCE (EQUIVALENT)	0.05 mH
SHORT TERM MAXIMUM POWER*	150 W	VOICE COIL DIAMETER	26 mm
LONG TERM MAXIMUM POWER*	55 W	VOICE COIL HEIGHT	1.5 mm
CHARACTERISTIC SENSITIVITY (1W, 1m)	91 dB SPL	MOVING MASS	0.30 g
OPERATING POWER (96 dB SPL, 1 m)	3.2 W	EFFECTIVE PISTON AREA	7.0 sq.cm
AIR GAP HEIGHT	2.0 mm	LINEAR COIL TRAVEL (p-p)	0.5 mm
MAGNETIC GAP FLUX DENSITY	1.8 T	FREE AIR RESONANCE	1000 Hz
FORCE FACTOR	3.5 N/A		
MAGNET WEIGHT	0.25 Kg		
TOTAL WEIGHT	0.55 Kg		

* IEC 268-5, VIA HIGH PASS BUTTERWORTH FILTER: 4000 Hz 12 dB/oct.