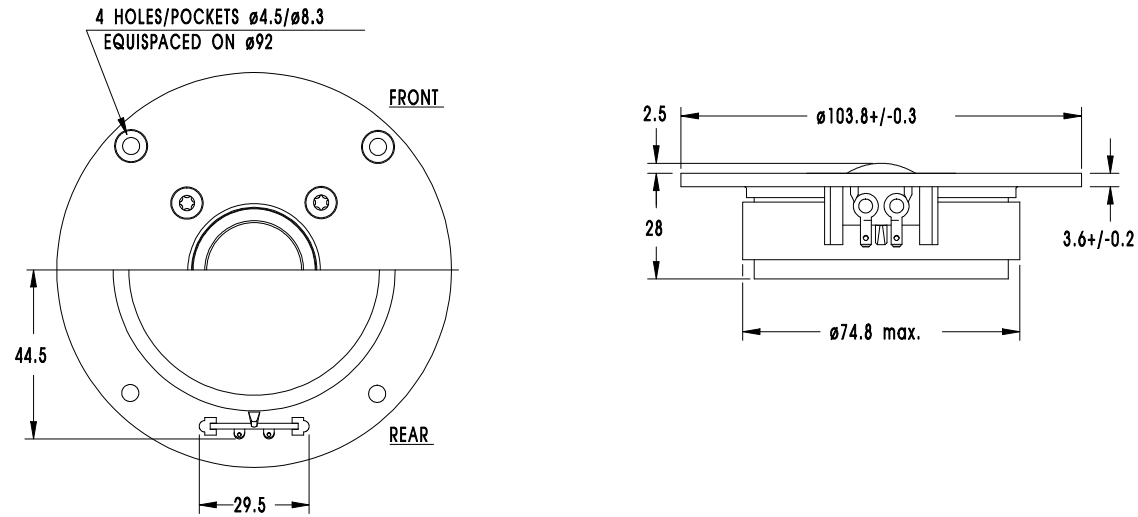


TWEETER

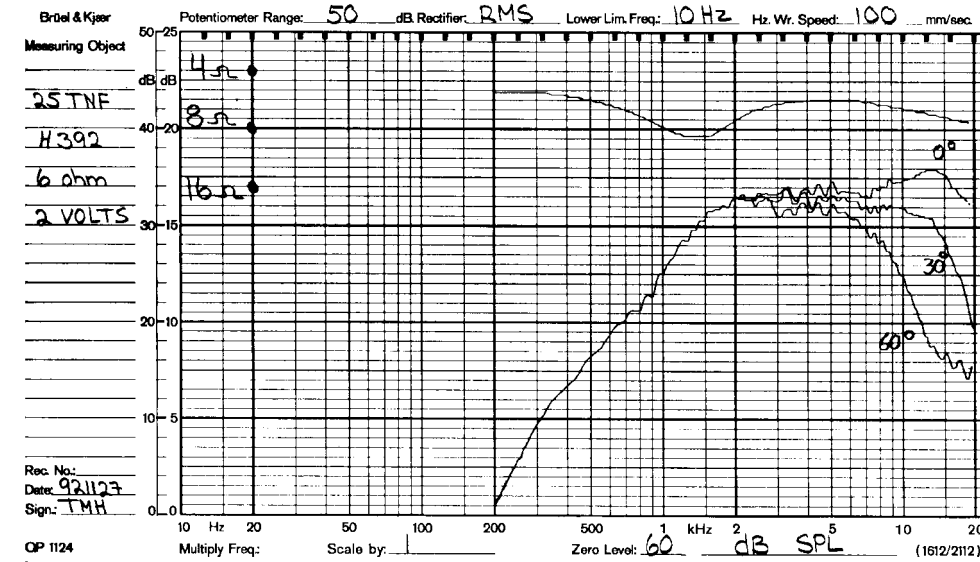
25TNF



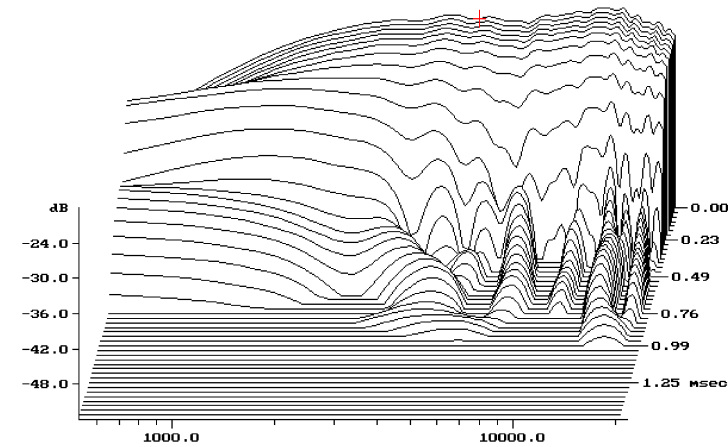
25mm High Fidelity dome tweeter featuring high efficiency and smooth frequency response. The optimally shaped dome diaphragm is vacuum formed from a special soft material. The chassis is injection moulded from a high grade glass fibre reinfor

NOTES

Response curve recorded in an anechoic chamber (Free-field, 4 pi radiation) with 0.5m microphone distance. The loudspeaker is mounted in a 0.6m by 0.8m baffle.



Cumulative spectral decay



NOMINAL IMPEDANCE	6 Ohms	VOICE COIL RESISTANCE	4.8 Ohms
RECOMMENDED FREQUENCY RANGE	3000-25000 Hz	VOICE COIL INDUCTANCE (EQUIVALENT)	0.05 mH
SHORT TERM MAXIMUM POWER*	220 W	VOICE COIL DIAMETER	26 mm
LONG TERM MAXIMUM POWER*	90 W	VOICE COIL HEIGHT	1.5 mm
CHARACTERISTIC SENSITIVITY (1W, 1m)	90 dB SPL	MOVING MASS	0.30 g
OPERATING POWER (96 dB SPL, 1 m)	4.0 W	EFFECTIVE PISTON AREA	7.0 sq.cm
		LINEAR COIL TRAVEL (p-p)	0.5 mm
AIR GAP HEIGHT	2.0 mm		
MAGNETIC GAP FLUX DENSITY	1.8 T	FREE AIR RESONANCE	1400 Hz
FORCE FACTOR	3.5 N/A		
MAGNET WEIGHT	0.25 Kg		
TOTAL WEIGHT	0.55 Kg		

* IEC 268-5, VIA HIGH PASS BUTTERWORTH FILTER: 3500 Hz 12 dB/oct.