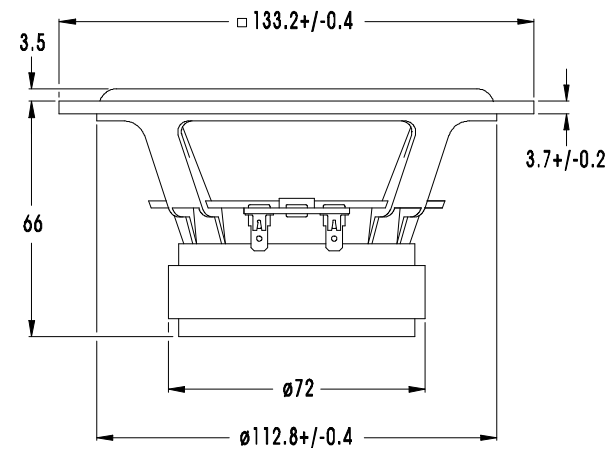
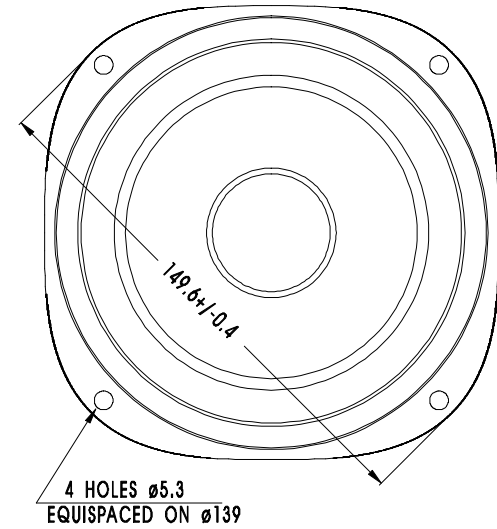


## WOOFER

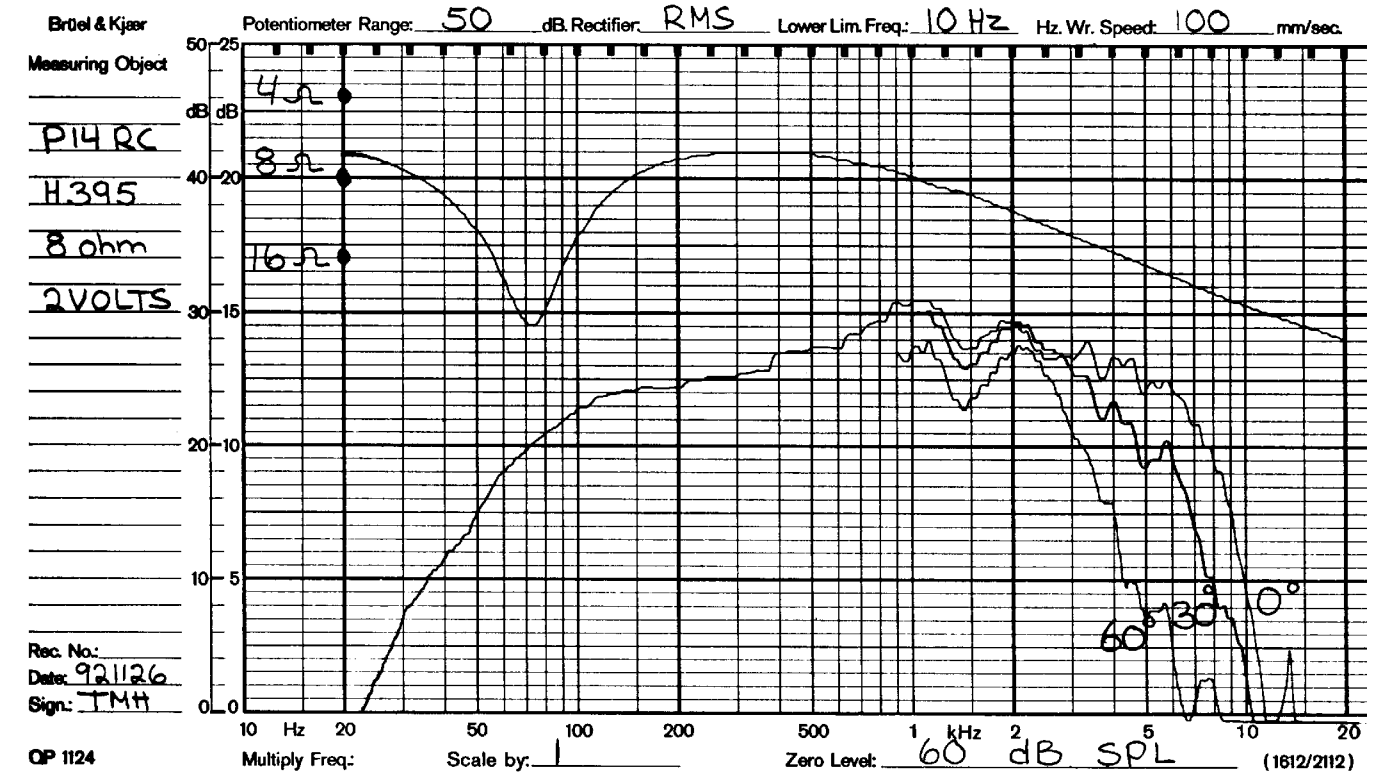
## P14RC



P14RC is a 5" High Fidelity bass/midrange unit with a stiff and stable injection moulded metal chassis. The fine low frequency response and a clean uncoloured midrange of this unit make small, high quality two way systems possible. High efficiency and smooth frequency response are products of the careful matching between a polypropylene cone, a natural rubber surround and a soft PVC dust cap. A high temperature voice coil, wound on an aluminium voice coil former provides high power handling capacity. The moderate size of the magnet system makes this unit suitable for closed cabinets. The P14RC may also be applied as a specialized midrange in larger high quality systems; a rear enclosure with optimized shape and volume is available for this purpose.

### NOTES

Response curve recorded in anechoic chamber (Free-field, 4 pi radiation) with 0.5m microphone distance. The loudspeaker is mounted in a closed box of 7 l net. volume



NOMINAL IMPEDANCE	8 Ohms	VOICE COIL RESISTANCE	5.7 Ohms
RECOMMENDED FREQUENCY RANGE	45-4000 Hz	VOICE COIL INDUCTANCE (EQUIVALENT)	0.65 mH
SHORT TERM MAXIMUM POWER *	250 W	FORCE FACTOR	5.5 N/A
LONG TERM MAXIMUM POWER*	60 W	FREE AIR RESONANCE	40 Hz
CHARACTERISTIC SENSITIVITY (1W, 1m)	89 dB SPL	MOVING MASS	7.0 g
OPERATING POWER (96 dB SPL, 1 m)	5.0 W	AIR LOAD MASS IN IEC BAFFLE	0.5 g
		SUSPENSION COMPLIANCE	2.2 mm/N
VOICE COIL DIAMETER	26 mm	SUSPENSION MECHANICAL RESISTANCE	1.4 Ns/m
VOICE COIL HEIGHT	12 mm	EFFECTIVE PISTON AREA	80 sq.cm
AIR GAP HEIGHT	6.0 mm		
LINEAR COIL TRAVEL (p-p)	6.0 mm	VAS	18.9 Litres
MAXIMUM COIL TRAVEL (p-p)	14 mm	QMS	1.35
MAGNETIC GAP FLUX DENSITY	0.9 T	QES	0.36
MAGNET WEIGHT	0.25 Kg	QTS	0.28
TOTAL WEIGHT	0.80 Kg		

\* = IEC 268-5