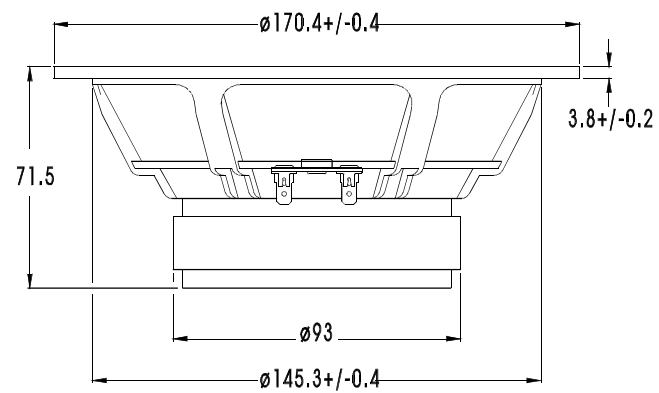
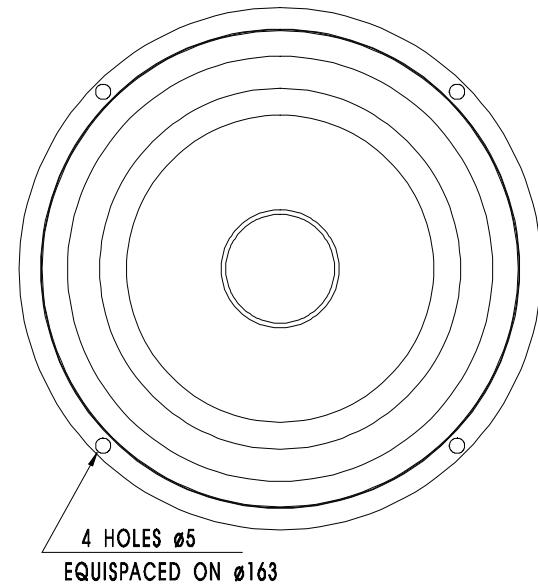


### WOOFER

### CB17RCY



CB17RCY is a 6.5" High Fidelity woofer with an injection moulded metal chassis. The high quality paper cone and paper dust cap together with a high loss rubber surround give a smooth, accurate response which extends to 4000 Hz. The special treatment of the cone produces a well behaved roll off characteristic, which simplifies crossover design. The treatment of the cone also reduces potential resonance problems. A high temperature voice coil wound on an aluminium voice coil former gives a high power handling capacity. The extra large magnet provides extra sensitivity and low Q.

#### NOTES

---



---

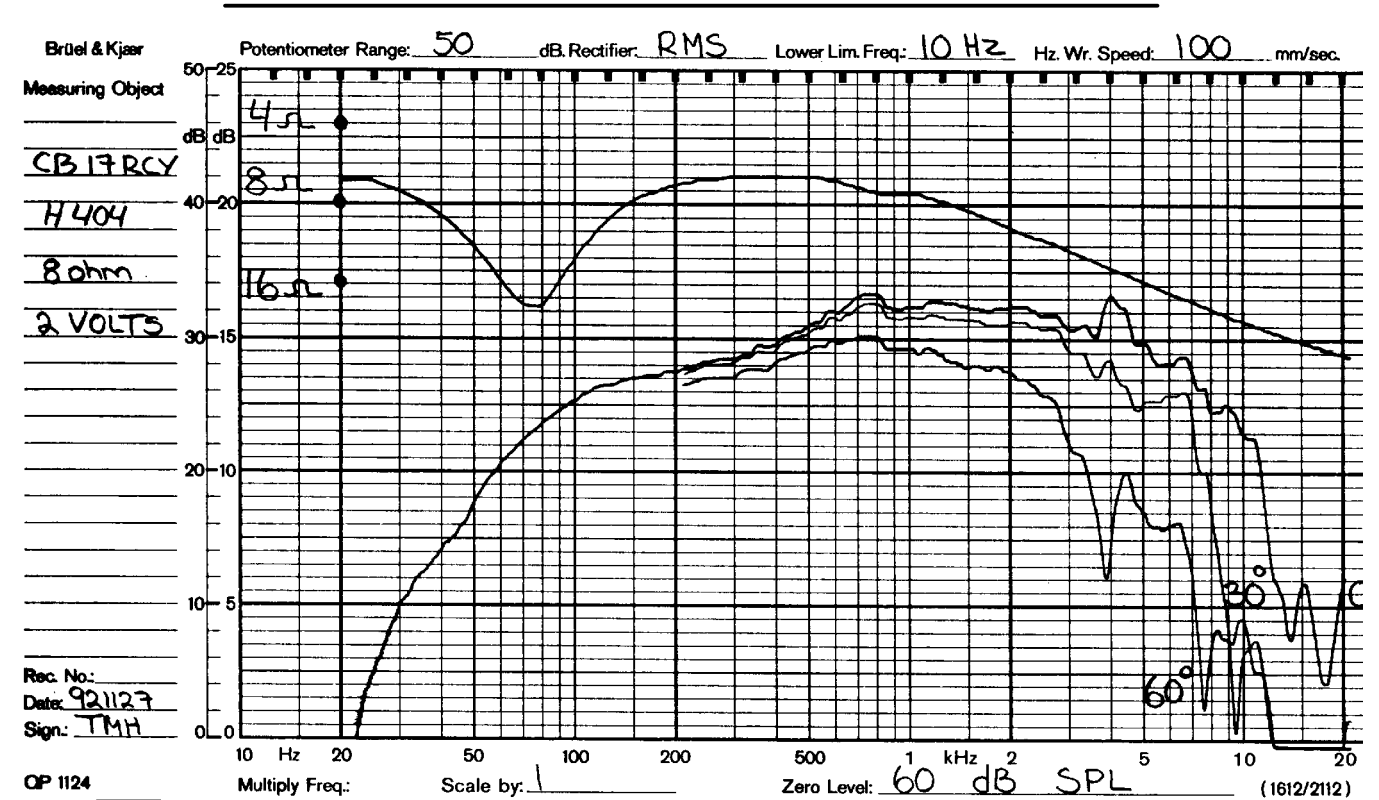


---



---

Response curve recorded in anechoic chamber (Free-field, 4 pi radiation) with 0.5m microphone distance. The loudspeaker is mounted in a closed box of 12 l net volume.



NOMINAL IMPEDANCE	8 Ohms	VOICE COIL RESISTANCE	5.7 Ohms
RECOMMENDED FREQUENCY RANGE	40-4000 Hz	VOICE COIL INDUCTANCE (EQUIVALENT)	0.65 mH
SHORT TERM MAXIMUM POWER *	250 W	FORCE FACTOR	6.6 N/A
LONG TERM MAXIMUM POWER *	60 W	FREE AIR RESONANCE	37 Hz
CHARACTERISTIC SENSITIVITY (1W,1m)	91 dB SPL	MOVING MASS	10.5 g
OPERATING POWER (96 dB SPL ,1 m)	3.2 W	AIR LOAD MASS IN IEC BAFFLE	1.0 g
		SUSPENSION COMPLIANCE	1.8 mm/N
VOICE COIL DIAMETER	26 mm	SUSPENSION MECHANICAL RESISTANCE	3.0 Ns/m
VOICE COIL HEIGHT	12 mm	EFFECTIVE PISTON AREA	130 sq.cm
AIR GAP HEIGHT	6.0 mm		
LINEAR COIL TRAVEL (p-p)	6.0 mm	VAS	38 Litres
MAXIMUM COIL TRAVEL (p-p)	16 mm	QMS	0.89
MAGNETIC GAP FLUX DENSITY	1.15 T	QES	0.35
MAGNET WEIGHT	0.42 Kg	QTS	0.25
TOTAL WEIGHT	1.41 Kg		

\* = IEC 268-5