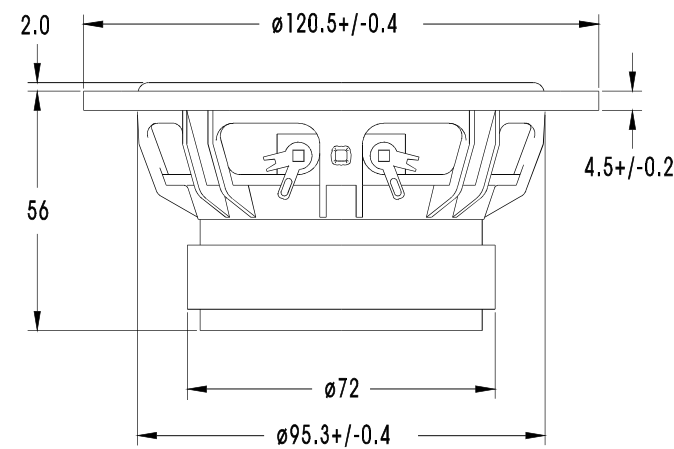
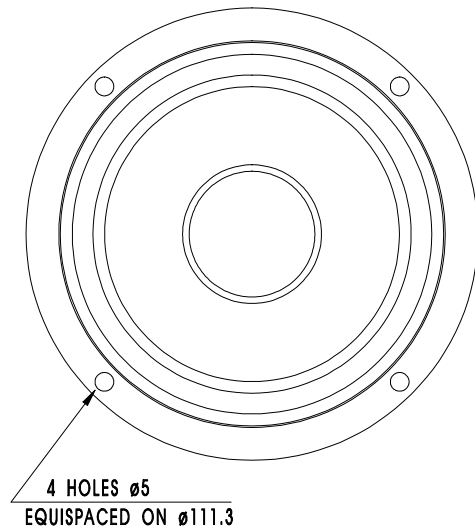


UTGÅTT

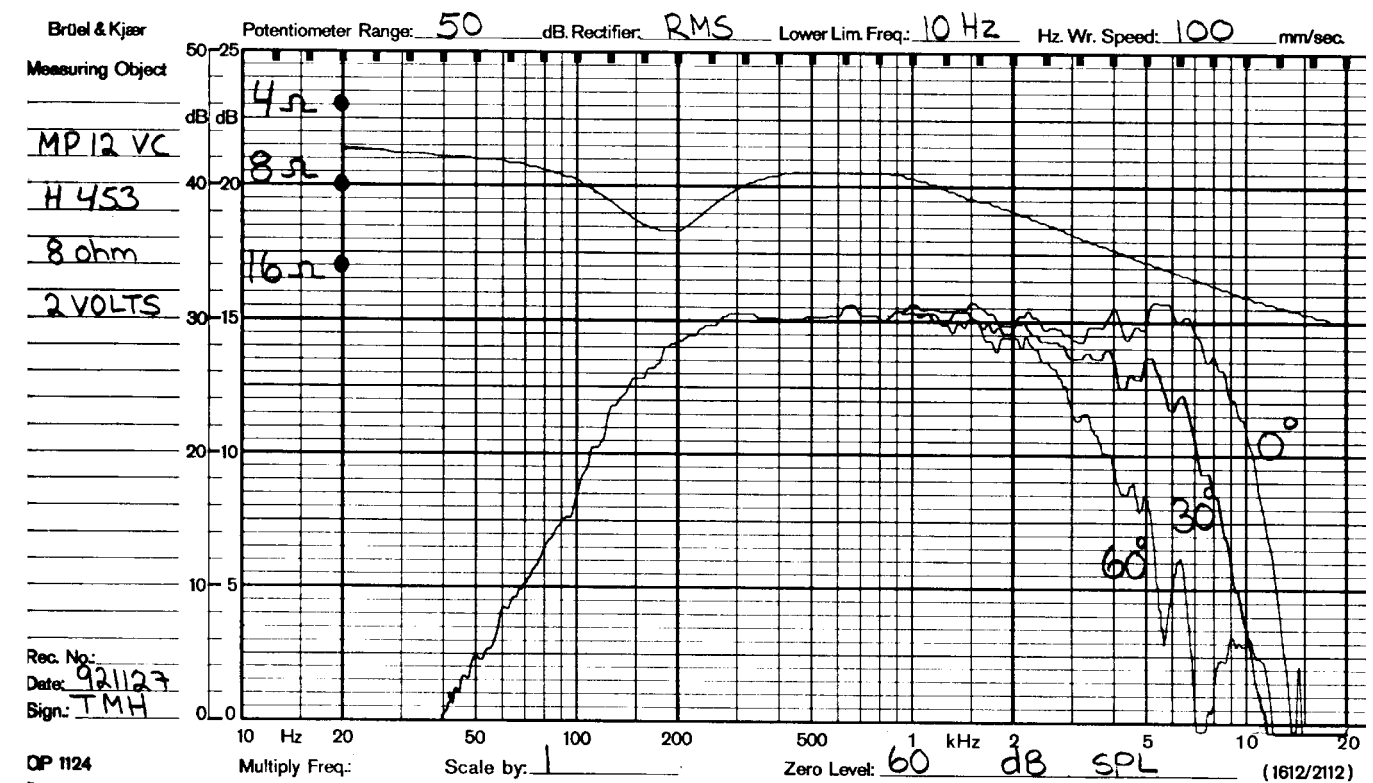
MP12VC



MP12VC is a 4.5" High Fidelity midrange unit with injection moulded, glass fibre reinforced, plastic basket. The chassis is made by a specially developed moulding tool which offers the availability of custom made integral chassis fronts at a reasonable cost. The careful matching of a filled polypropylene cone, soft PVC surround and a soft PVC dust cap gives a very smooth frequency response with excellent dynamic behavior. No additional coating of the cone has been necessary, and this results in an improved consistency between units. A high temperature voice coil wound on an aluminium voice coil former, gives high power handling capacity. A rear enclosure with optimum volume and shape is available.

NOTES

Response curve recorded in anechoic chamber (Free-field, 4 pi radiation) with 0.5m microphone distance. The loudspeaker with a 0.8 l rear chamber is mounted in a standard IEC baffle.



| | | | |
|-------------------------------------|-------------|------------------------------------|------------|
| NOMINAL IMPEDANCE | 8 Ohms | VOICE COIL RESISTANCE | 6.1 Ohms |
| RECOMMENDED FREQUENCY RANGE | 300-5000 Hz | VOICE COIL INDUCTANCE (EQUIVALENT) | 0.5 mH |
| SHORT TERM MAXIMUM POWER * | 600 W | FORCE FACTOR | 5.5 N/A |
| LONG TERM MAXIMUM POWER* | 90 W | FREE AIR RESONANCE | 90 Hz |
| CHARACTERISTIC SENSITIVITY (1W, 1m) | 89.5 dB SPL | MOVING MASS | 5.5 g |
| OPERATING POWER (96 dB SPL, 1 m) | 4.5 W | AIR LOAD MASS IN IEC BAFFLE | 0.2 g |
| VOICE COIL DIAMETER | 26 mm | SUSPENSION COMPLIANCE | 0.6 mm/N |
| VOICE COIL HEIGHT | 7.8 mm | SUSPENSION MECHANICAL RESISTANCE | 2.4 Ns/m |
| AIR GAP HEIGHT | 6.0 mm | EFFECTIVE PISTON AREA | 62 sq.cm |
| LINEAR COIL TRAVEL (p-p) | 1.8 mm | | |
| MAXIMUM COIL TRAVEL (p-p) | --- | VAS | 2.9 Litres |
| MAGNETIC GAP FLUX DENSITY | 1.0 T | QMS | 1.34 |
| MAGNET WEIGHT | 0.25 Kg | QES | 0.65 |
| TOTAL WEIGHT | 0.65 Kg | QTS | 0.44 |

* IEC 268-5, VIA HIGH PASS BUTTERWORTH FILTER 800 Hz 6 dB/oct.