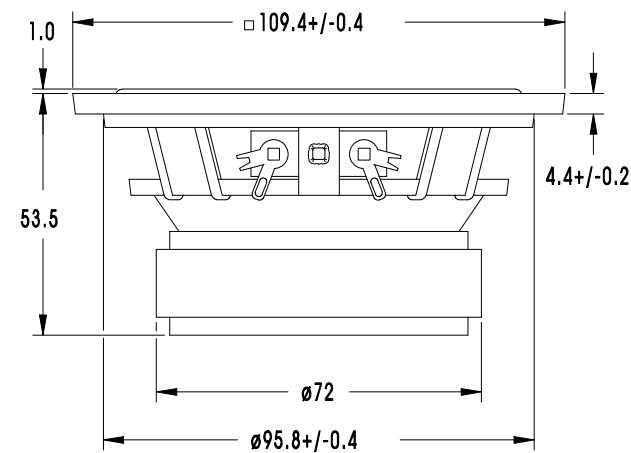
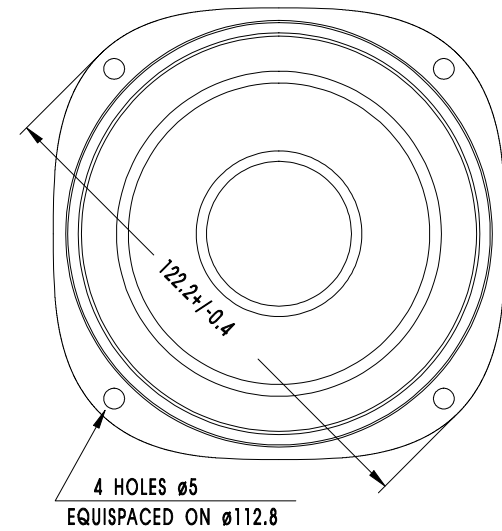


WOOFER

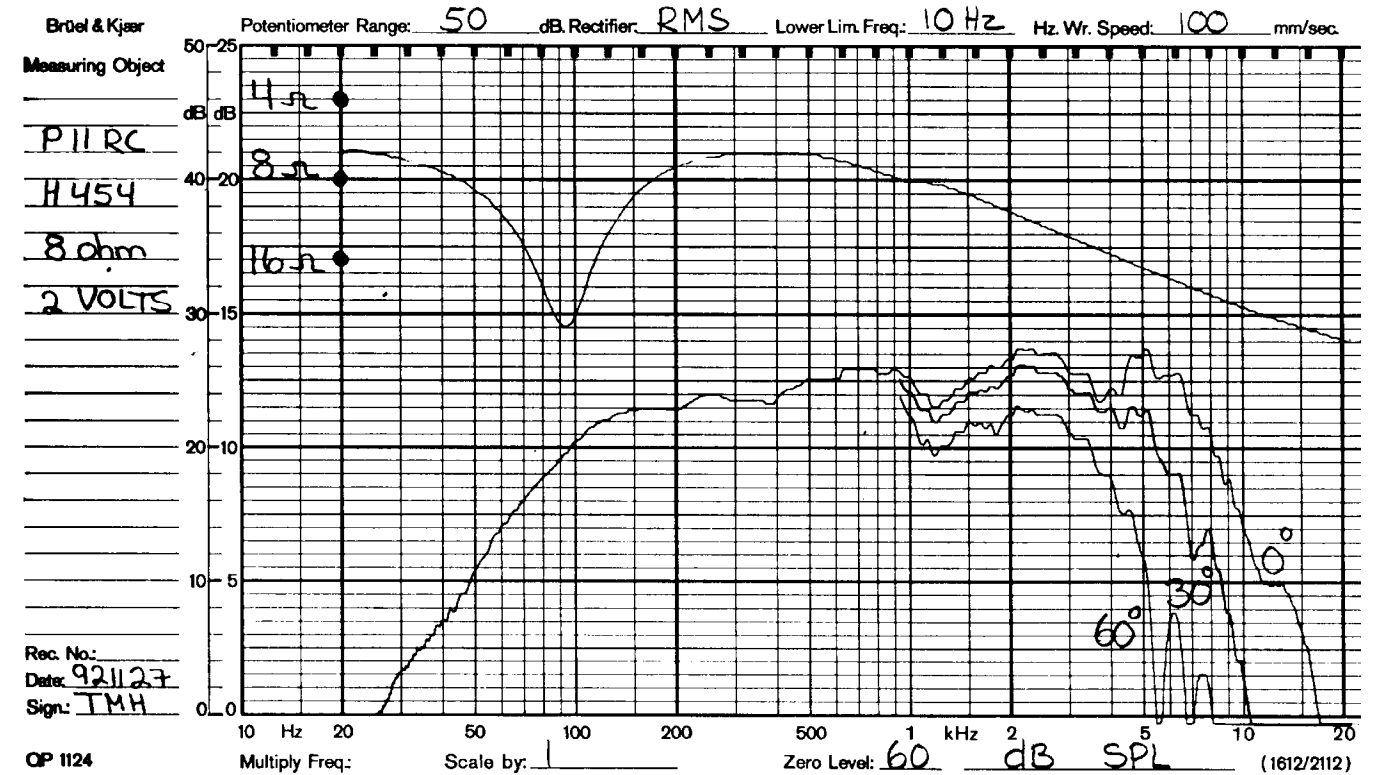
P11RC



P11RC is a 4.5" High Fidelity mini woofer with a stiff and stable injection moulded metal chassis. Careful matching of a polypropylene cone, a natural rubber surround and a soft PVC dust gap has resulted in a high quality and high consistency mini woofer. The high temperature voice coil wound on an aluminium voice coil former gives high power handling capacity. The unit may be used in small two way systems producing an astonishingly deep bass and a clean, neutral midrange. The unit can also be applied as a low resonance midrange unit.

NOTES

Response curve recorded in anechoic chamber (Free-field, 4 pi radiation) with 0.5m microphone distance. The loudspeaker is mounted in a closed box of 2.5 l net. volume



NOMINAL IMPEDANCE	8 Ohms	VOICE COIL RESISTANCE	5.7 Ohms
RECOMMENDED FREQUENCY RANGE	45-4000 Hz	VOICE COIL INDUCTANCE (EQUIVALENT)	0.65 mH
SHORT TERM MAXIMUM POWER *	200 W	FORCE FACTOR	5.5 N/A
LONG TERM MAXIMUM POWER*	60 W	FREE AIR RESONANCE	55 Hz
CHARACTERISTIC SENSITIVITY (1W, 1m)	84.5 dB SPL	MOVING MASS	6.5 g
OPERATING POWER (96 dB SPL, 1 m)	14 W	AIR LOAD MASS IN IEC BAFFLE	0.2 g
		SUSPENSION COMPLIANCE	1.3 mm/N
VOICE COIL DIAMETER	26 mm	SUSPENSION MECHANICAL RESISTANCE	1.5 Ns/m
VOICE COIL HEIGHT	12 mm	EFFECTIVE PISTON AREA	55 sq.cm
AIR GAP HEIGHT	6.0 mm		
LINEAR COIL TRAVEL (p-p)	6.0 mm		
MAXIMUM COIL TRAVEL (p-p)	9 mm	VAS	5.3 Litres
MAGNETIC GAP FLUX DENSITY	1.0 T	QMS	1.54
MAGNET WEIGHT	0.25 Kg	QES	0.44
TOTAL WEIGHT	0.75 Kg	QTS	0.34

* = IEC 268-5