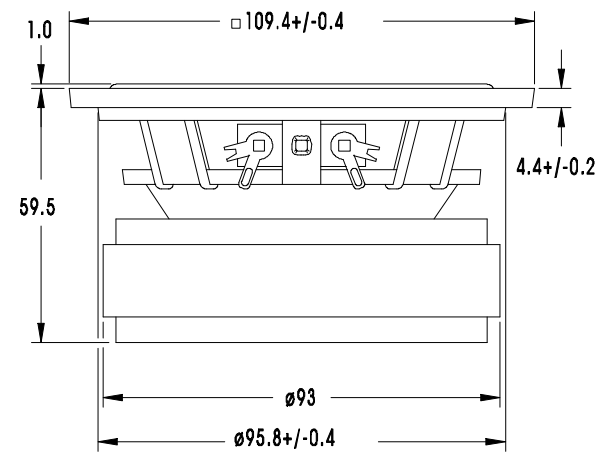
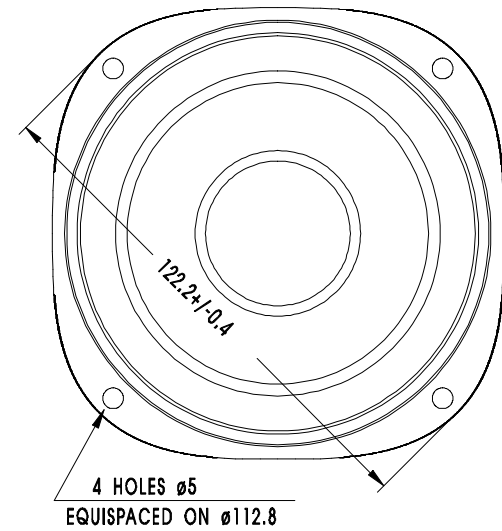


WOOFER

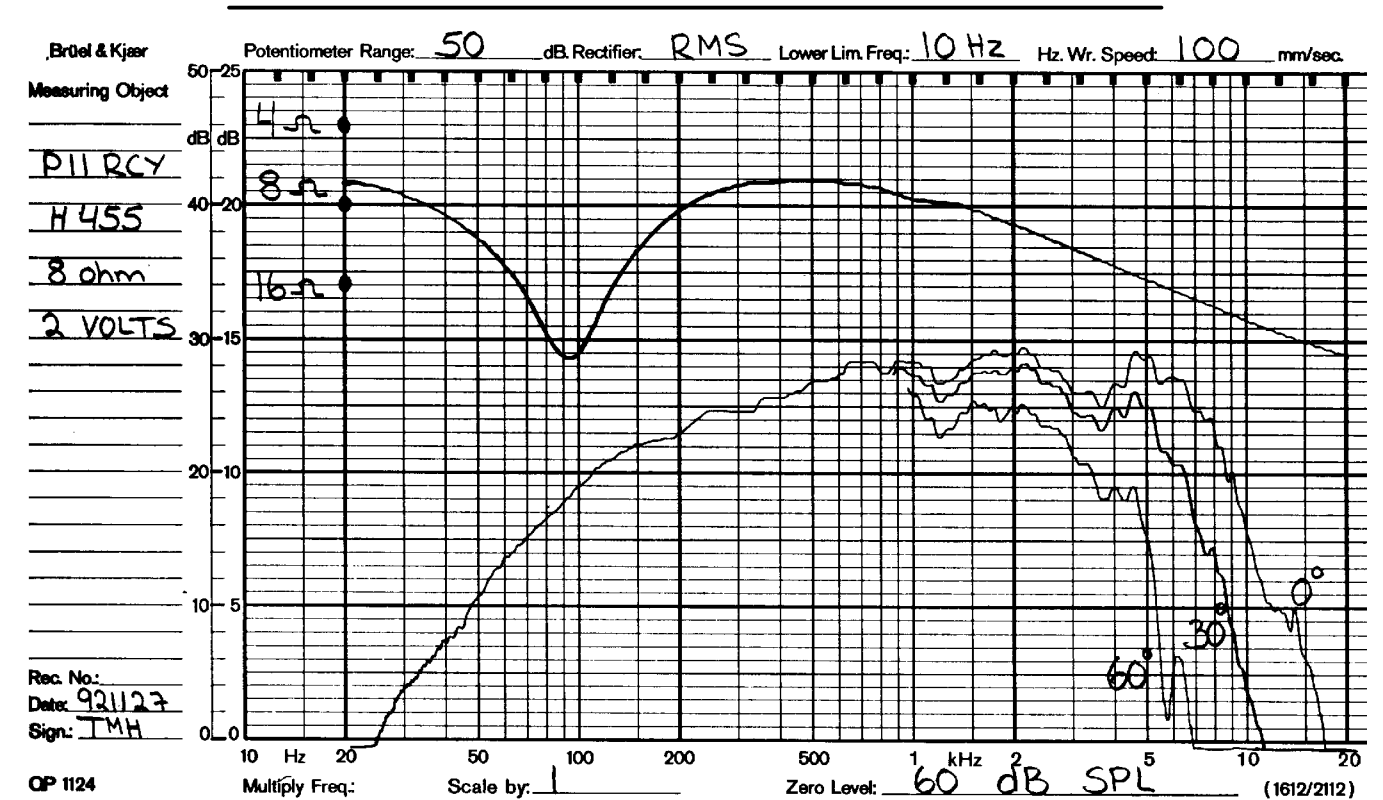
P11RCY



P11RCY is a 4.5" High Fidelity mini woofer with a stiff and stable injection moulded metal chassis. Careful matching of a polypropylene cone, a natural rubber surround and a soft PVC dust cap has resulted in a high quality and high consistency mini woofer. The high temperature voice coil wound on an aluminium voice coil former gives high power handling capacity. An extra large magnet system provides a reasonable efficiency and a low Q. The unit may be used in very small two-way ported systems producing an astonishingly deep bass and a clean, neutral midrange.

NOTES

Response curve recorded in anechoic chamber (Free-field, 4 pi radiation) with 0.5m microphone distance. The loudspeaker is mounted in a closed box of 2.5 l net. volume



NOMINAL IMPEDANCE	8 Ohms	VOICE COIL RESISTANCE	5.7 Ohms
RECOMMENDED FREQUENCY RANGE	45-4000 Hz	VOICE COIL INDUCTANCE (EQUIVALENT)	0.65 mH
SHORT TERM MAXIMUM POWER *	200 W	FORCE FACTOR	7.0 N/A
LONG TERM MAXIMUM POWER*	60 W	FREE AIR RESONANCE	55 Hz
CHARACTERISTIC SENSITIVITY (1W, 1m)	86 dB SPL	MOVING MASS	6.5 g
OPERATING POWER (96 dB SPL, 1 m)	10 W	AIR LOAD MASS IN IEC BAFFLE	0.2 g
		SUSPENSION COMPLIANCE	1.3 mm/N
VOICE COIL DIAMETER	26 mm	SUSPENSION MECHANICAL RESISTANCE	1.5 Ns/m
VOICE COIL HEIGHT	12 mm	EFFECTIVE PISTON AREA	55 sq.cm
AIR GAP HEIGHT	6.0 mm		
LINEAR COIL TRAVEL (p-p)	6.0 mm		
MAXIMUM COIL TRAVEL (p-p)	9 mm	VAS	5.3 Litres
MAGNETIC GAP FLUX DENSITY	1.25 T	QMS	1.54
MAGNET WEIGHT	0.42 Kg	QES	0.27
TOTAL WEIGHT	1.21 Kg	QTS	0.23

* = IEC 268-5