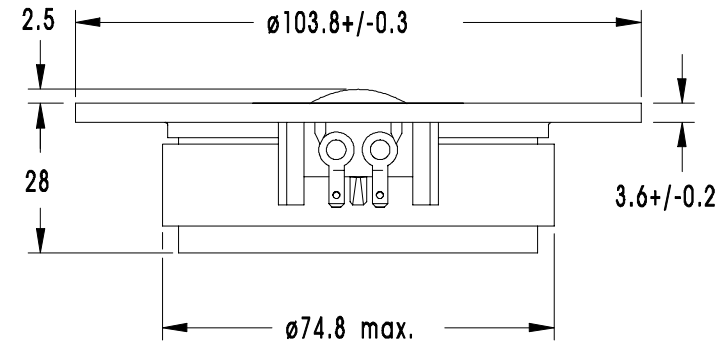
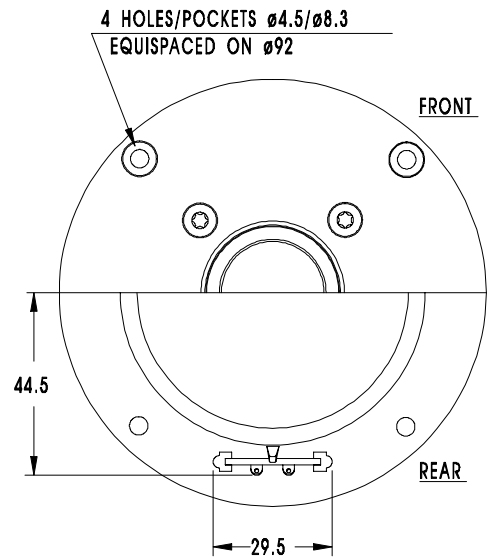


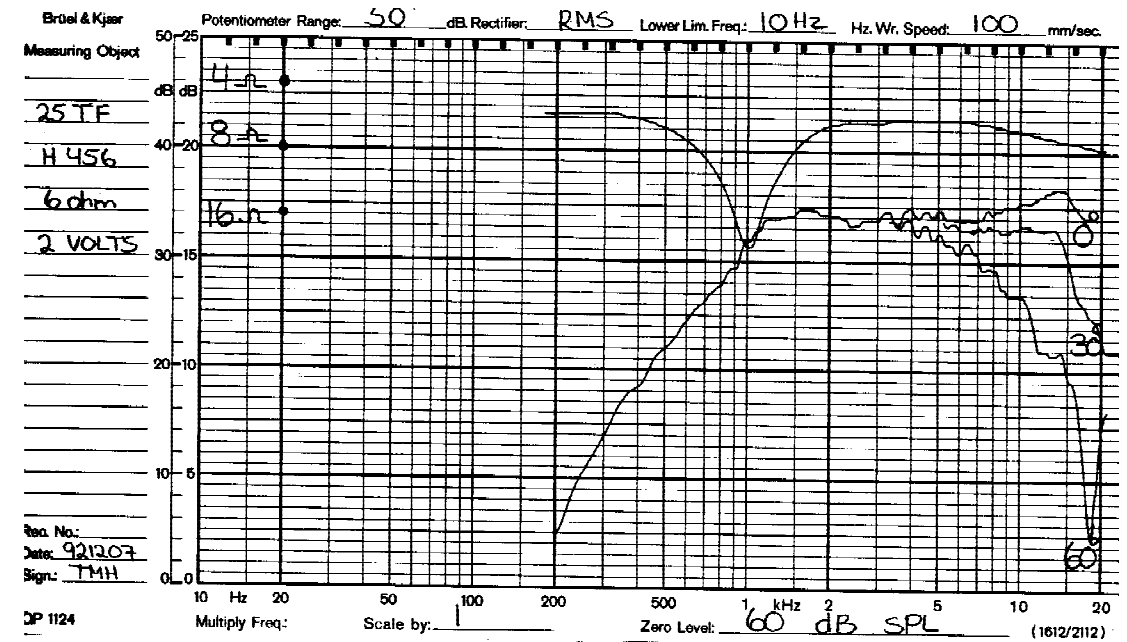
### TWEETER

### 25TF

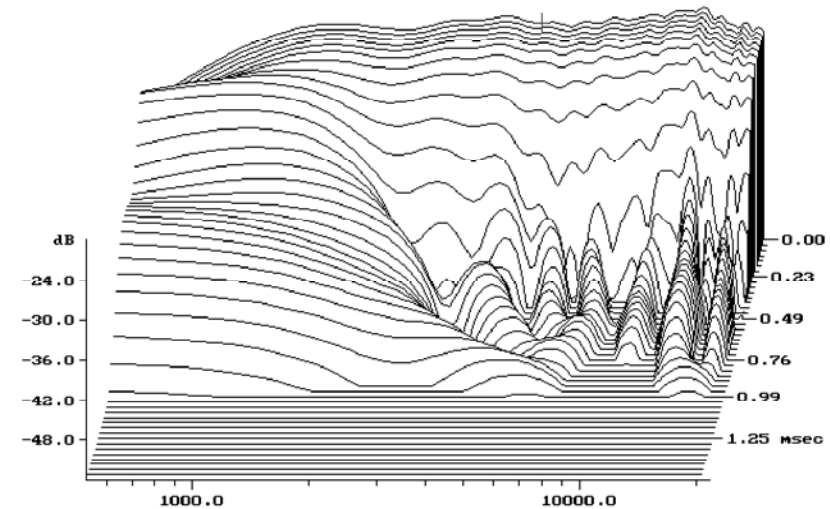


25mm High Fidelity dome tweeter with glass fibre reinforced plastic chassis. The diaphragm is vacuum formed from a precoated fabric. This unique SEAS technology gives a vast improvement in consistency compared with other coating methods. Careful matching of fabric and coating results in a very smooth frequency response throughout the audible frequency range and gives a very high degree of stability against changes in air temperature and humidity.

#### NOTES



Cumulative spectral decay



NOMINAL IMPEDANCE	6 Ohms	VOICE COIL RESISTANCE	4.8 Ohms
RECOMMENDED FREQUENCY RANGE	3000-25000 Hz	VOICE COIL INDUCTANCE (EQUIVALENT)	0.05 mH
SHORT TERM MAXIMUM POWER*	150 W	VOICE COIL DIAMETER	26 mm
LONG TERM MAXIMUM POWER*	55 W	VOICE COIL HEIGHT	1.5 mm
CHARACTERISTIC SENSITIVITY (2.83V,1m)	91 dB SPL	MOVING MASS	0.30 g
		EFFECTIVE PISTON AREA	7.0 sq.cm
		LINEAR COIL TRAVEL (p-p)	0.5 mm
AIR GAP HEIGHT	2.0 mm	FREE AIR RESONANCE	1000 Hz
MAGNETIC GAP FLUX DENSITY	1.8 T		
FORCE FACTOR	3.5 N/A		
MAGNET WEIGHT	0.25 Kg		
TOTAL WEIGHT	0.55 Kg		

\* IEC 268-5, VIA HIGH PASS BUTTERWORTH FILTER: 4000 Hz 12 dB/oct.