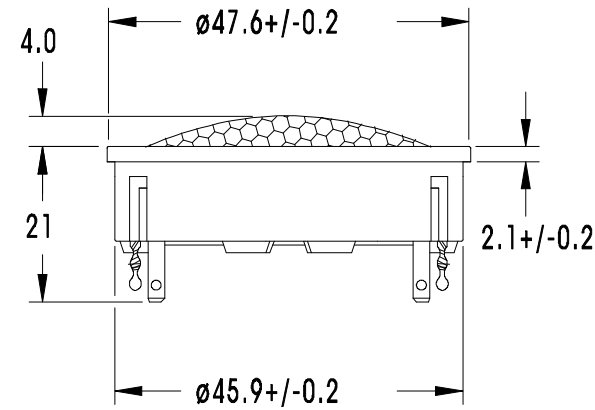
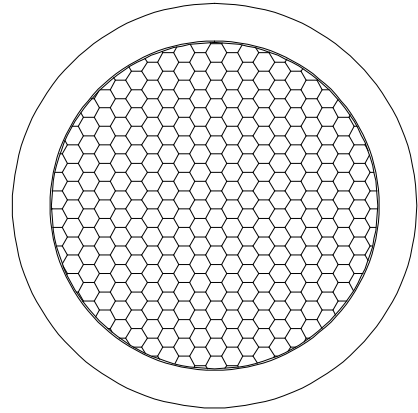


### TWEETER

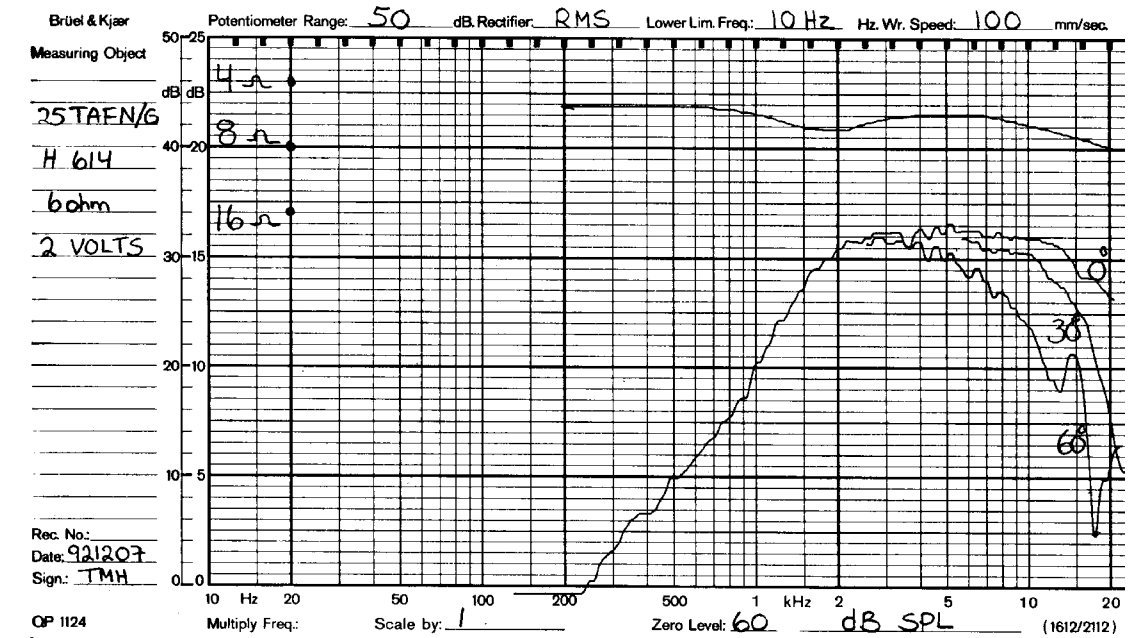
### 25TAFN/G



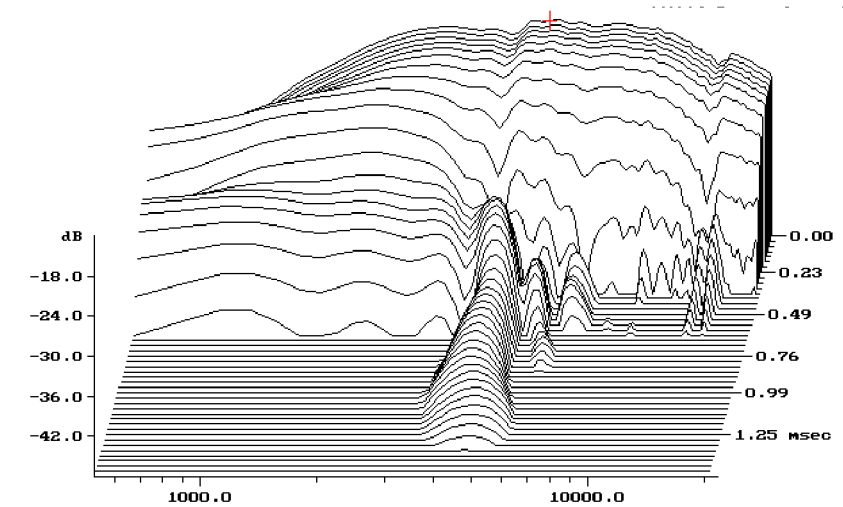
25mm High Fidelity dome tweeter with a very small glass fibre reinforced plastic chassis. The neodymium magnet allows a high quality speaker in a very compact design. This unit gives new possibilities in loudspeaker cabinet design, and is well suited for use in automobile sound. The construction of the magnet system gives very low magnetic stray fields since the magnet is enclosed in a soft steel housing. Thus, this unit is immediately ready for Audio-video systems. The aluminium diaphragm with critically designed shape and thickness behaves like a piston throughout the audible frequency range, resulting in good dispersion above 10 kHz. A hexa grid protects the diaphragm, and supports a phase plate which compensates for a slight axial roll off towards 20 kHz. A specially designed soft polyamide surround allows a low fundamental frequency and excellent mechanical linearity. The voice coil is immersed in magnetic fluid, allowing high power handling capacity and simplified crossover design.

#### NOTES

Response curve recorded in anechoic chamber (Free-field, 4 pi radiation) with 0.5m microphone distance. The loudspeaker is mounted in a 0.6m by 0.8m baffle.



Cumulative spectral decay



NOMINAL IMPEDANCE	6 Ohms	VOICE COIL RESISTANCE	4.8 Ohms
RECOMMENDED FREQUENCY RANGE	3000-25000 Hz	VOICE COIL INDUCTANCE (EQUIVALENT)	0.05 mH
SHORT TERM MAXIMUM POWER*	240 W	VOICE COIL DIAMETER	26 mm
LONG TERM MAXIMUM POWER*	100 W	VOICE COIL HEIGHT	1.5 mm
CHARACTERISTIC SENSITIVITY (1W , 1m)	89 dB SPL	MOVING MASS	0.33 g
OPERATING POWER (96 dB SPL , 1 m)	5.0 W	EFFECTIVE PISTON AREA	7.0 sq.cm
		LINEAR COIL TRAVEL (p-p)	0.5 mm
AIR GAP HEIGHT	2.0 mm		
MAGNETIC GAP FLUX DENSITY	1.3 T	FREE AIR RESONANCE	1800 Hz
FORCE FACTOR	2.45 N/A		
MAGNET WEIGHT	0.01 Kg		
TOTAL WEIGHT	0.09 Kg		

\* IEC 268-5, VIA HIGH PASS BUTTERWORTH FILTER: 3500 Hz 12 dB/oct.