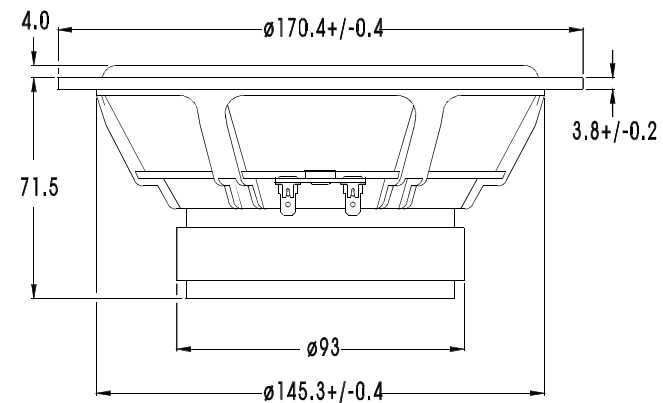
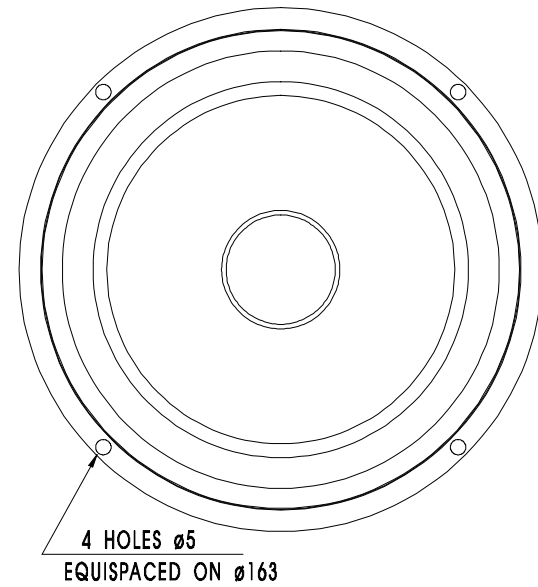


WOOFER

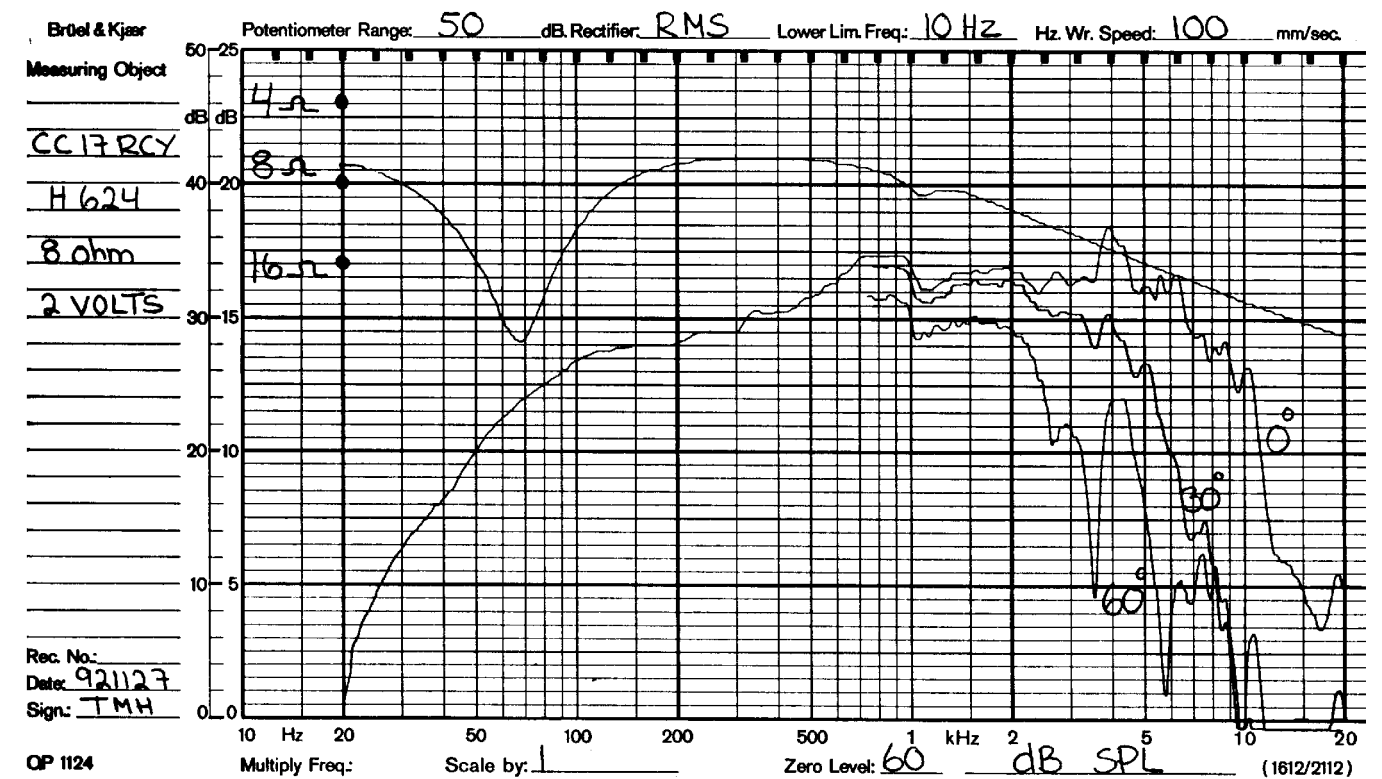
CC17RCY



CC17RCY is a 6.5" High Fidelity woofer with an injection moulded metal chassis. Careful selection of paper cone and rubber surround qualities has resulted in this unit. The low loss rubber quality will stay stable within a wide temperature range, making this unit suitable for use in cars. A special treatment of the cone produces a well behaved roll off characteristic and reduces potential resonance problems. A high temperature voice coil wound on an aluminium voice coil former gives a high power handling capacity. The extra large magnet provides extra sensitivity and low Q.

NOTES

Response curve recorded in anechoic chamber (Free-field, 4 pi radiation) with 0.5m microphone distance. The loudspeaker is mounted in a closed box of 12 l net volume.



NOMINAL IMPEDANCE	8 Ohms	VOICE COIL RESISTANCE	5.7 Ohms
RECOMMENDED FREQUENCY RANGE	38-4000 Hz	VOICE COIL INDUCTANCE (EQUIVALENT)	0.65 mH
SHORT TERM MAXIMUM POWER *	250 W	FORCE FACTOR	6.6 N/A
LONG TERM MAXIMUM POWER *	60 W	FREE AIR RESONANCE	34 Hz
CHARACTERISTIC SENSITIVITY (1W,1m)	92 dB SPL	MOVING MASS	10.5 g
OPERATING POWER (96 dB SPL ,1 m)	2.5 W	AIR LOAD MASS IN IEC BAFFLE	1.0 g
		SUSPENSION COMPLIANCE	2.1 mm/N
VOICE COIL DIAMETER	26 mm	SUSPENSION MECHANICAL RESISTANCE	1.1 Ns/m
VOICE COIL HEIGHT	12 mm	EFFECTIVE PISTON AREA	130 sq.cm
AIR GAP HEIGHT	6.0 mm		
LINEAR COIL TRAVEL (p-p)	6.0 mm	VAS	45.1 Litres
MAXIMUM COIL TRAVEL (p-p)	16 mm	QMS	2.23
MAGNETIC GAP FLUX DENSITY	1.15 T	QES	0.32
MAGNET WEIGHT	0.4 Kg	QTS	0.28
TOTAL WEIGHT	1.41 Kg		

* = IEC 268-5