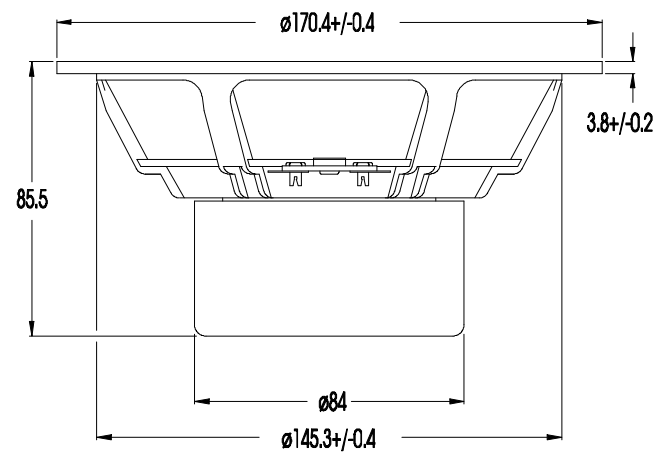
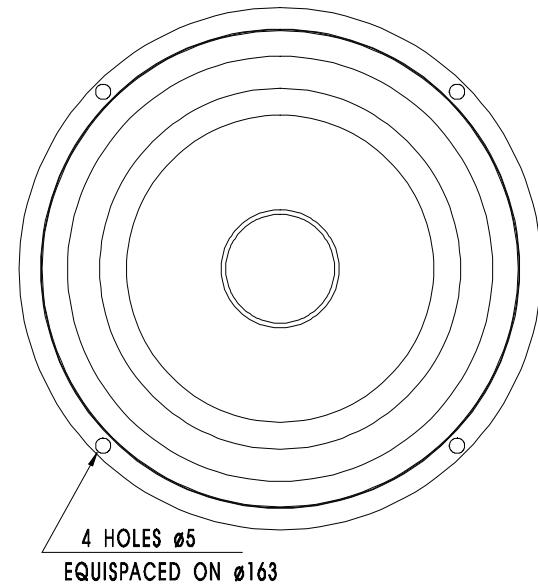


WOOFER

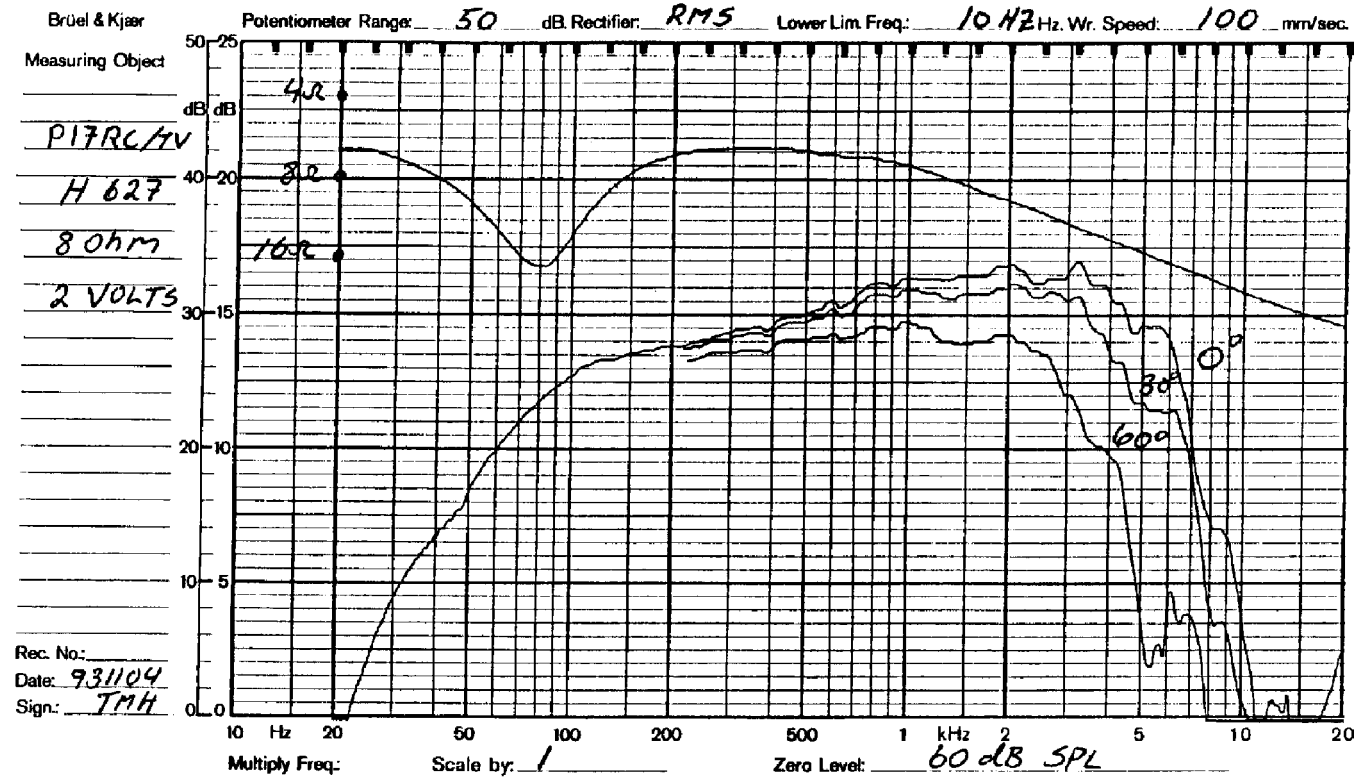
P17RC/TV



P17RC/TV is a 6,5" High Fidelity woofer with an injection moulded metal chassis. A compensation magnet and a shielding cup are mounted on the magnet system to eliminate magnetic stray fields, hence the unit can be used very close to CRT's in Audio Video applications. A specially compounded polypropylene cone, a soft PVC dust cap and a high loss rubber surround yield a smooth and uncoloured response and high consistency. A high temperature voice coil wound on an aluminium voice coil former gives a high power handling capacity.

NOTES

Response curve recorded in anechoic chamber (Free-field, 4 pi radiation) with 0.5m microphone distance. The loudspeaker is mounted in a closed box of 12 l net volume.



NOMINAL IMPEDANCE	8 Ohms	VOICE COIL RESISTANCE	5.7 Ohms
RECOMMENDED FREQUENCY RANGE	40-4000 Hz	VOICE COIL INDUCTANCE (EQUIVALENT)	0.65 mH
SHORT TERM MAXIMUM POWER *	250 W	FORCE FACTOR	6.2 N/A
LONG TERM MAXIMUM POWER *	60 W	FREE AIR RESONANCE	35 Hz
CHARACTERISTIC SENSITIVITY (1W,1m)	90 dB SPL	MOVING MASS	11 g
OPERATING POWER (96 dB SPL ,1 m)	4.0 W	AIR LOAD MASS IN IEC BAFFLE	1.0 g
		SUSPENSION COMPLIANCE	1.8 mm/N
VOICE COIL DIAMETER	26 mm	SUSPENSION MECHANICAL RESISTANCE	3.0 Ns/m
VOICE COIL HEIGHT	12 mm	EFFECTIVE PISTON AREA	130 sq.cm
AIR GAP HEIGHT	6.0 mm		
LINEAR COIL TRAVEL (p-p)	6.0 mm		
MAXIMUM COIL TRAVEL (p-p)	16 mm	VAS	40.7 Litres
MAGNETIC GAP FLUX DENSITY	1.1 T	QMS	0.88
MAGNET WEIGHT	0.5 Kg	QES	0.39
TOTAL WEIGHT	1.41 Kg	QTS	0.27

* = IEC 268-5