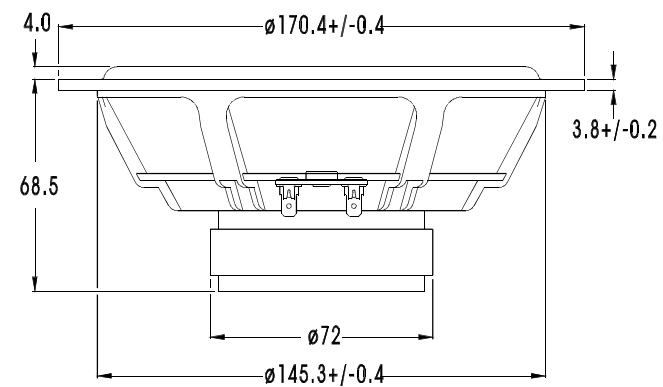
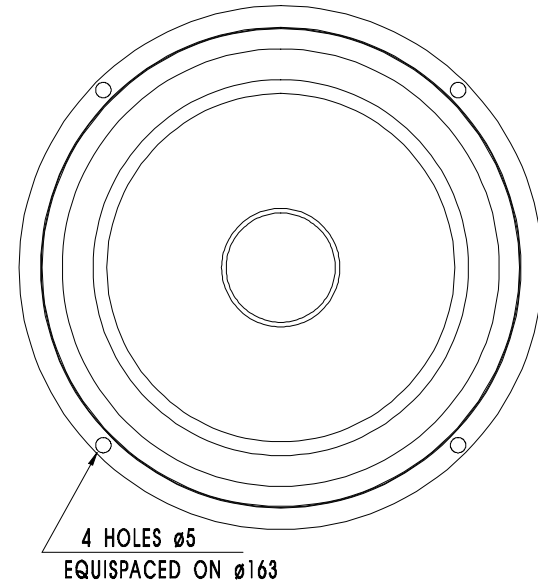


WOOFER

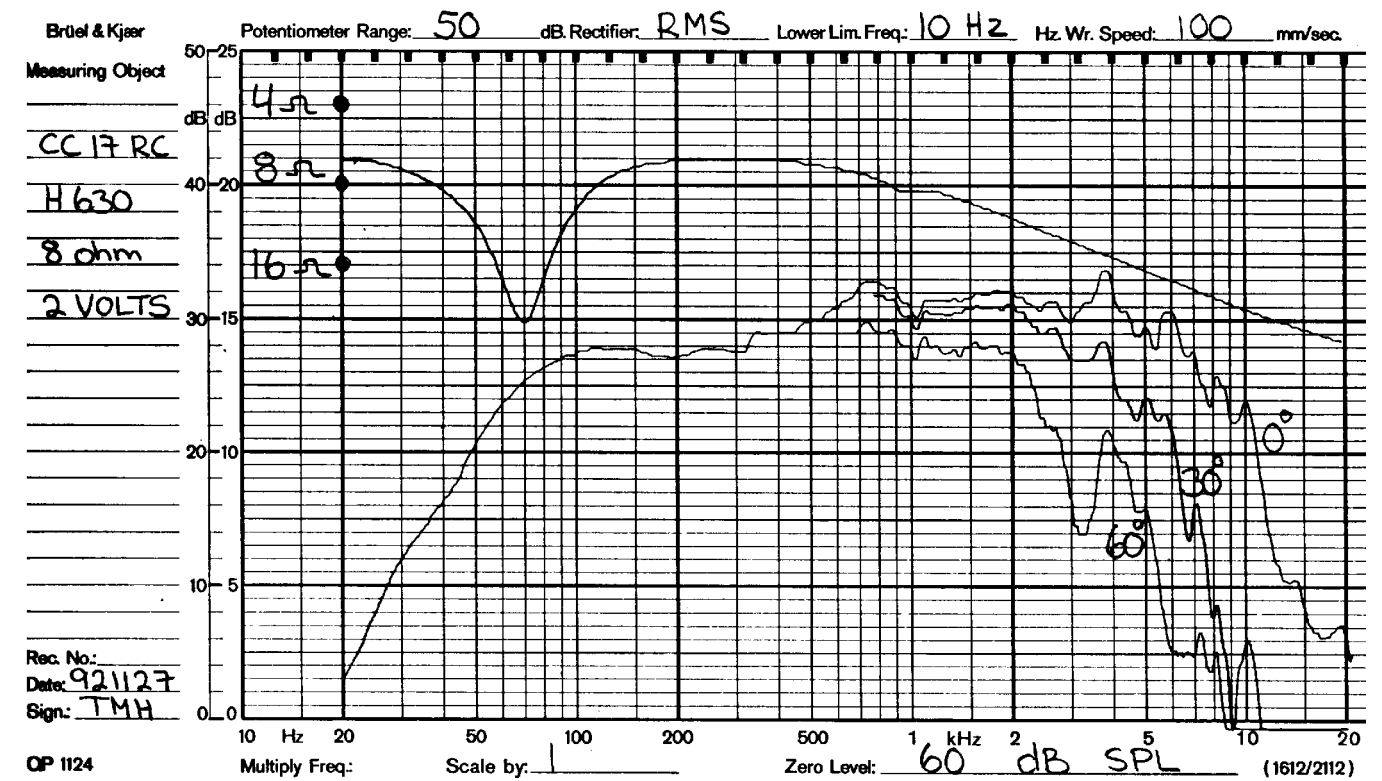
CC17RC



CC17RC is a 6.5" High Fidelity woofer with an injection moulded metal chassis. The paper cone and dust cap have been carefully matched with a low loss rubber surround resulting in a smooth frequency response. The low loss rubber quality will stay stable within a wide temperature range, making this unit suitable for use in cars. A special treatment of the cone produces a well behaved roll off characteristic and reduces potential resonance problems. A high temperature voice coil wound on an aluminium voice coil former gives a high power handling capacity.

NOTES

Response curve recorded in anechoic chamber (Free-field, 4 pi radiation) with 0.5m microphone distance. The loudspeaker is mounted in a closed box of 12 l net volume.



NOMINAL IMPEDANCE	8 Ohms	VOICE COIL RESISTANCE	5.7 Ohms
RECOMMENDED FREQUENCY RANGE	38-4000 Hz	VOICE COIL INDUCTANCE (EQUIVALENT)	0.65 mH
SHORT TERM MAXIMUM POWER *	250 W	FORCE FACTOR	5.5 N/A
LONG TERM MAXIMUM POWER *	60 W	FREE AIR RESONANCE	34 Hz
CHARACTERISTIC SENSITIVITY (1W,1m)	90 dB SPL	MOVING MASS	10.5 g
OPERATING POWER (96 dB SPL ,1 m)	4.0 W	AIR LOAD MASS IN IEC BAFFLE	1.0 g
		SUSPENSION COMPLIANCE	2.1 mm/N
VOICE COIL DIAMETER	26 mm	SUSPENSION MECHANICAL RESISTANCE	1.1 Ns/m
VOICE COIL HEIGHT	12 mm	EFFECTIVE PISTON AREA	130 sq.cm
AIR GAP HEIGHT	6.0 mm		
LINEAR COIL TRAVEL (p-p)	6.0 mm	VAS	45.1 Litres
MAXIMUM COIL TRAVEL (p-p)	16 mm	QMS	2.23
MAGNETIC GAP FLUX DENSITY	0.9 T	QES	0.46
MAGNET WEIGHT	0.25 Kg	QTS	0.38
TOTAL WEIGHT	0.91 Kg		

* = IEC 268-5