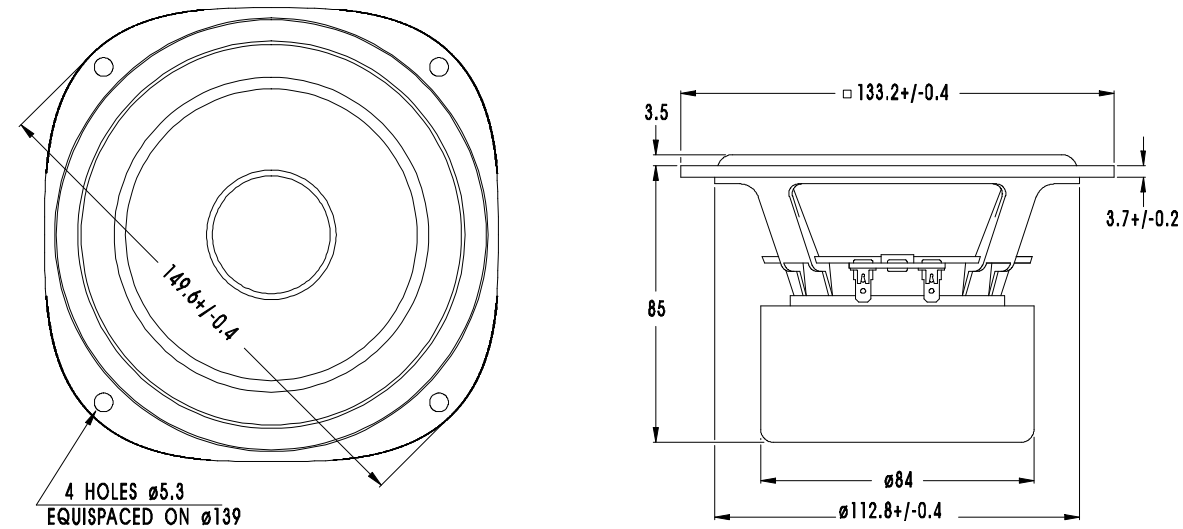


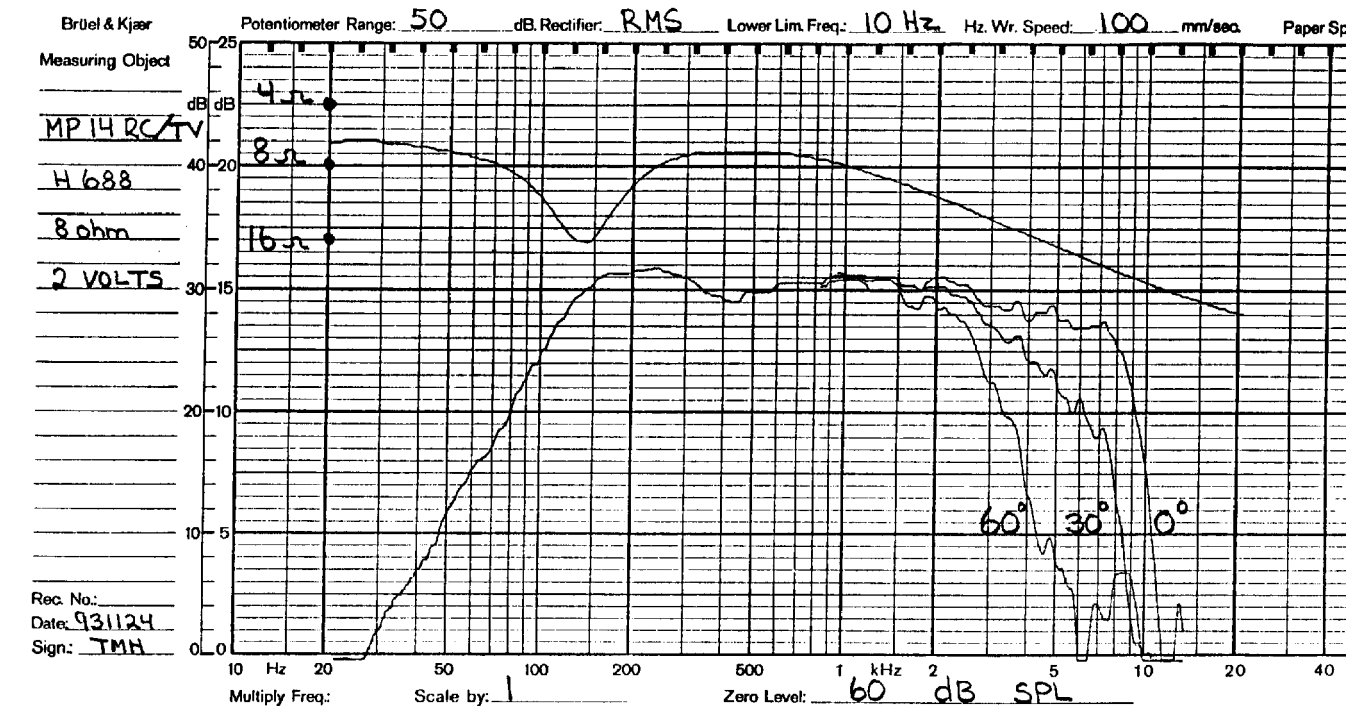
## MIDRANGE MP14RC/TV



MP14RC/TV is a 5" High Fidelity midrange unit with a stiff and stable injection moulded metal chassis. A compensation magnet and a shielding cup are mounted on the magnet system to eliminate magnetic stray fields, hence the unit can be used very close to CRT's in Audio Video applications. Careful matching of the polypropylene based cone, the high loss rubber surround and the PVC dust cap has resulted in a well behaved frequency response, even in the upper roll off region. A high temperature voice coil wound on an aluminium voice coil former gives a high power handling capacity. Thanks to this and excellent linearity, the unit will perform well even far down into the bass region. A rear enclosure with optimized shape and volume is available.

### NOTES

Response curve recorded in anechoic chamber (Free-field, 4 pi radiation) with 0.5m microphone distance. The loudspeaker with a 1.7 l rear chamber is mounted in a standard IEC baffle.



NOMINAL IMPEDANCE	8 Ohms	VOICE COIL RESISTANCE	5.7 Ohms
RECOMMENDED FREQUENCY RANGE	100-4000 Hz	VOICE COIL INDUCTANCE (EQUIVALENT)	0.65 mH
SHORT TERM MAXIMUM POWER *	400 W	FORCE FACTOR	6.2 N/A
LONG TERM MAXIMUM POWER*	110 W	FREE AIR RESONANCE	42 Hz
CHARACTERISTIC SENSITIVITY (1W, 1m)	89.5 dB SPL	MOVING MASS	7.0 g
OPERATING POWER (96 dB SPL, 1 m)	4.5 W	AIR LOAD MASS IN IEC BAFFLE	0.5 g
		SUSPENSION COMPLIANCE	2.1 mm/N
VOICE COIL DIAMETER	26 mm	SUSPENSION MECHANICAL RESISTANCE	2.5 Ns/m
VOICE COIL HEIGHT	12 mm	EFFECTIVE PISTON AREA	80 sq.cm
AIR GAP HEIGHT	6.0 mm		
LINEAR COIL TRAVEL (p-p)	6.0 mm	VAS	17.1 Litres
MAXIMUM COIL TRAVEL (p-p)	---	QMS	0.79
MAGNETIC GAP FLUX DENSITY	1.08 T	QES	0.29
MAGNET WEIGHT	0.5 Kg	QTS	0.21
TOTAL WEIGHT	1.28 Kg		

\* IEC 268-5, VIA HIGH PASS BUTTERWORTH FILTEI 250Hz 6 dB/oct.