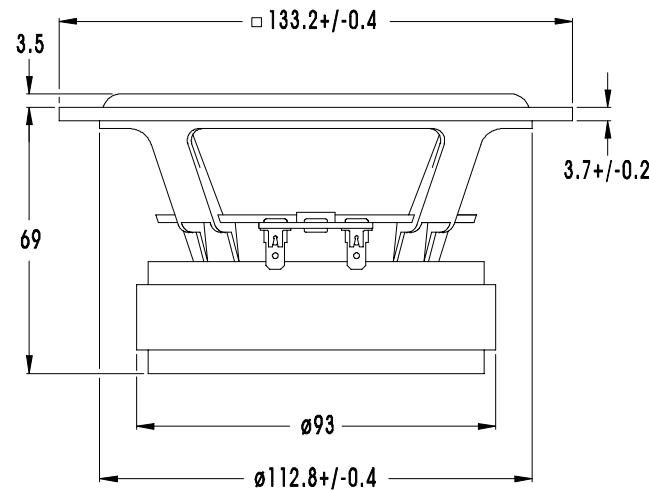
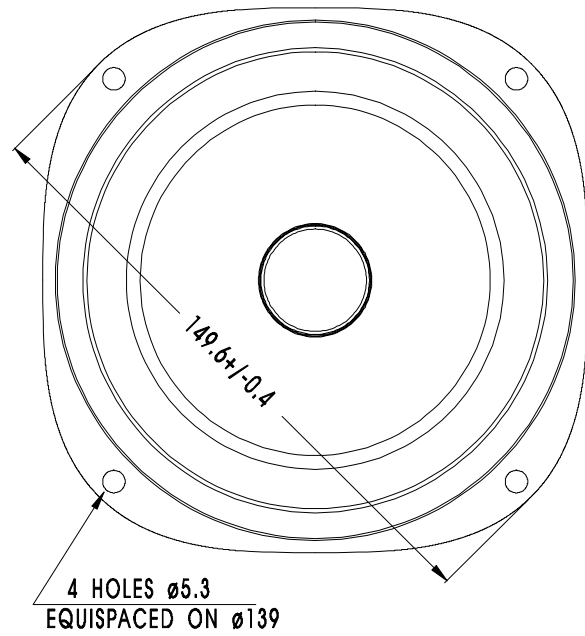


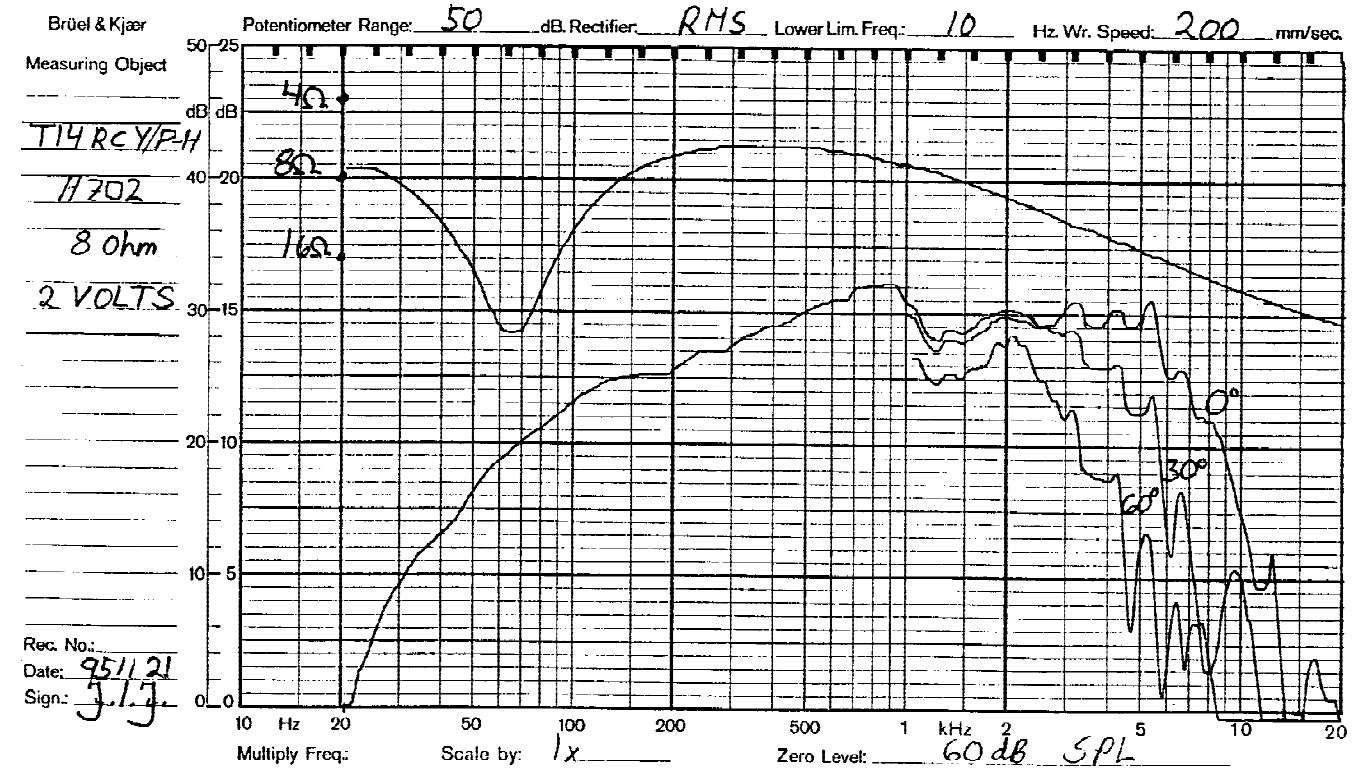
T14RCY/P-H



T14RCY/P-H is an 5" High Fidelity bass/midrange unit with a stiff and stable injection moulded magnesium chassis. The fine low frequency response and a clean uncoloured midrange of this unit make small, high quality two way systems possible. High efficiency and smooth frequency response are products of the careful matching between a XP cone and natural rubber surround. The bullet shaped phase plug increase the power handling capacity, reduces compression due to temperature variations in the voice coil and eliminates problems with resonances which would occur in the volume between the dust cap and the polepiece. A high temperature voice coil, wound on an aluminium voice coil former provides high power handling capacity. The large magnet system provides high sensitivity and a low Q for bass reflex applications. The T14RCY/P-H may also be applied as a specialized midrange in larger high quality systems; a rear enclosure with optimized shape and volume is available for this purpose.

NOTES

Response curve recorded in anechoic chamber (Free-field, 4 pi radiation) with 0.5m microphone distance. The loudspeaker is mounted in a closed box of 7 l net. volume



NOMINAL IMPEDANCE	8 Ohms	VOICE COIL RESISTANCE	5.7 Ohms
RECOMMENDED FREQUENCY RANGE	45-4000 Hz	VOICE COIL INDUCTANCE (EQUIVALENT)	0.65 mH
SHORT TERM MAXIMUM POWER*	250 W	FORCE FACTOR	7.0 N/A
LONG TERM MAXIMUM POWER*	60 W	FREE AIR RESONANCE	40 Hz
CHARACTERISTIC SENSITIVITY (1W, 1m)	89 dB SPL	MOVING MASS	6.6 g
VOICE COIL DIAMETER	26 mm	AIR LOAD MASS IN IEC Baffle	0.5 g
VOICE COIL HEIGHT	12 mm	SUSPENSION COMPLIANCE	2.2 mm/N
AIR GAP HEIGHT	6.0 mm	SUSPENSION MECHANICAL RESISTANCE	1.4 Ns/m
LINEAR COIL TRAVEL (p-p)	6.0 mm	EFFECTIVE PISTON AREA	75 sq.cm
MAXIMUM COIL TRAVEL (p-p)	14 mm	VAS	17,60 Litres
MAGNETIC GAP FLUX DENSITY	1.15 T	QMS	1,27
MAGNET WEIGHT	0.42 Kg	QES	0,23
TOTAL WEIGHT	1.25 Kg	QTS	0,20

* = IEC 268-5