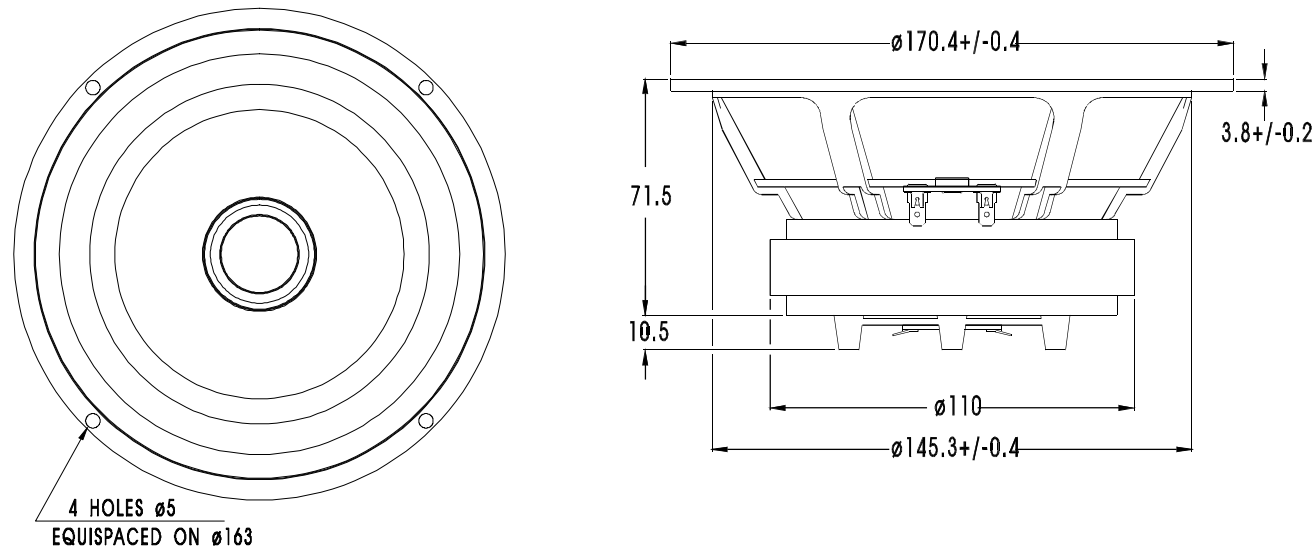


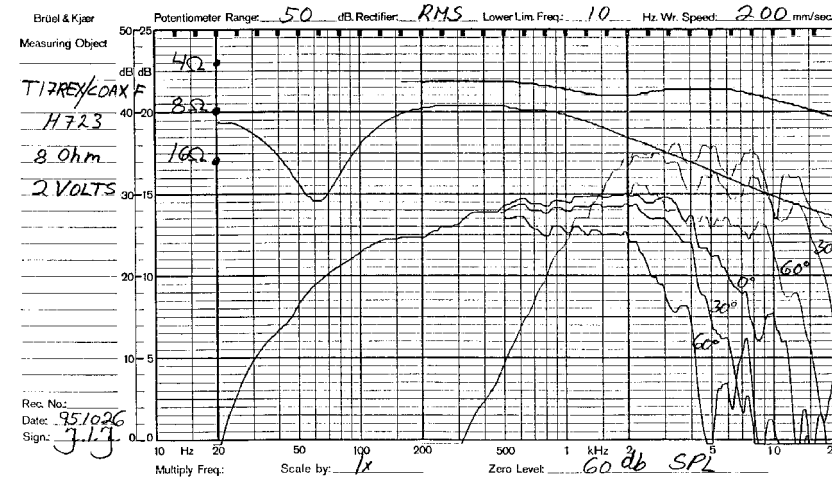
COAXIAL T17REX COAX/F



T17REX/COAX F is a coaxial and time-coherent arrangement of a woofer based on T17RE and a precoated fabric dome high frequency unit, based on 25TFFN/G. The cone of the woofer acts as a horn loading for the tweeter, and the chassis of the dome unit represents the throat of this horn. Unlike most traditional coaxial loudspeakers, this arrangement has two advantages: The two drive units have identical acoustic centers, and their directivities in the crossover frequency region are practically identical. Thus, it is possible to build a full range Hi Fi system with a symmetrical and stable radiation pattern, combined with a smooth energy response.

NOTES

Response curve recorded in anechoic chamber (Free-field, 4 pi radiation) with 0.5m microphone distance. The loudspeaker is mounted in a closed box of 12 l net volume.



TECHNICAL DATA DOME TWEETER.

NOMINAL IMPEDANCE	6 Ohms	VOICE COIL RESISTANCE	4.8 Ohms
RECOMMENDED FREQUENCY RANGE	3000-25000Hz	VOICE COIL INDUCTANCE (EQUIVALENT)	0.05 mH
SHORT TERM MAXIMUM POWER *	220 W	VOICE COIL DIAMETER	26 mm
LONG TERM MAXIMUM POWER *	90 W	VOICE COIL HEIGHT	1.5 mm
CHARACTERISTIC SENSITIVITY (1W, 1m)	89 dB SPL	MOVING MASS	0.3 g
OPERATING POWER (96 dB SPL, 1 m)	5 W	EFFECTIVE PISTON AREA	7.0 sq.cm
AIR GAP HEIGHT	2.0 mm	LINEAR COIL TRAVEL (p-p)	0.5 mm
MAGNETIC GAP FLUX DENSITY	1.3 T	FREE AIR RESONANCE	1800 Hz
FORCE FACTOR	2.45 N/A		

* IEC 268-5. VIA HIGH PASS BUTTERWORTH FILTER : 3500 Hz, 12 dB/oct

TECHNICAL DATA CONE DRIVER

NOMINAL IMPEDANCE	8 Ohms	VOICE COIL RESISTANCE	6.1 Ohms
RECOMMENDED FREQUENCY RANGE	40-3000 Hz	VOICE COIL INDUCTANCE (EQUIVALENT)	0.6 mH
SHORT TERM MAXIMUM POWER *	250 W	FORCE FACTOR	8.2 N/A
LONG TERM MAXIMUM POWER *	80 W	FREE AIR RESONANCE	38 Hz
CHARACTERISTIC SENSITIVITY (1W, 1m)	87.5 dB SPL	MOVING MASS	16.0 g
OPERATING POWER (96 dB SPL, 1 m)	7.0 W	AIR LOAD MASS IN IEC BAFFLE	1.0 g
VOICE COIL DIAMETER	39 mm	SUSPENSION COMPLIANCE	1.1 mm/N
VOICE COIL HEIGHT	12 mm	SUSPENSION MECHANICAL RESISTANCE	3.0 Ns/m
AIR GAP HEIGHT	6.0 mm	EFFECTIVE PISTON AREA	120 sq.cm
LINEAR COIL TRAVEL (p-p)	6.0 mm		
MAXIMUM COIL TRAVEL (p-p)	19 mm	VAS	20.8 Litres
MAGNETIC GAP FLUX DENSITY	1.0 T	QMS	1.35
MAGNET WEIGHT	0.64 Kg	QES	0.37
TOTAL WEIGHT	1.85 Kg	QTS	0.29

* = IEC 268-5