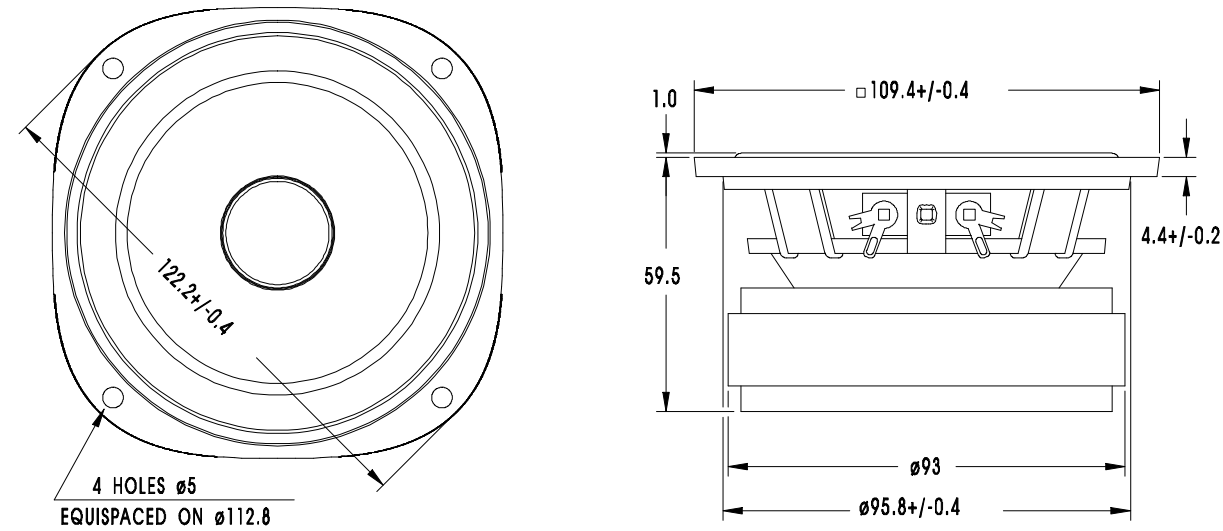


WOOFER

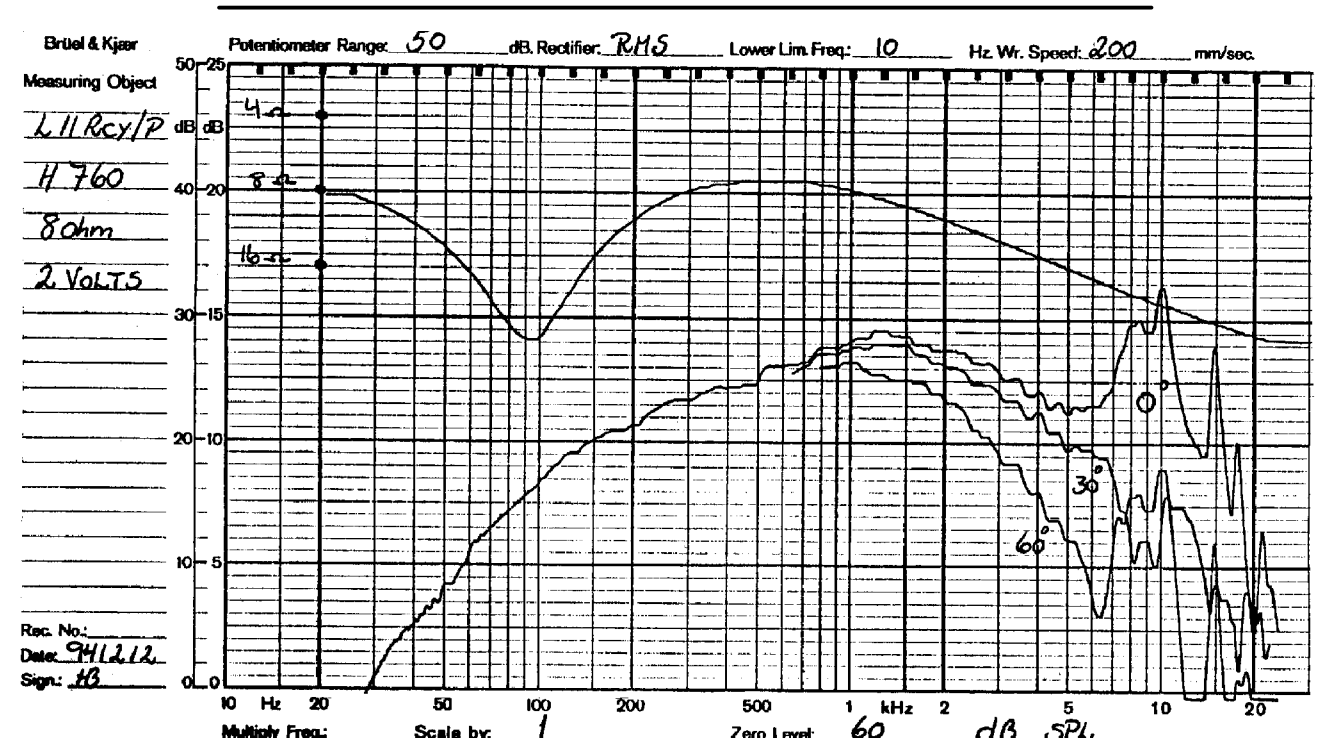
L11RCY/P



L11RCY/P is a 4.5" High Fidelity mini woofer with a stiff and stable injection moulded metal chassis. The stiff, yet light aluminium cone and the low loss rubber surround show no sign of the familiar 500-1500 Hz cone edge resonance and distortion associated with soft cones. On the other hand, the cone break up modes at higher frequencies call for special attention in the crossover design work. The high temperature voice coil wound on an aluminium voice coil former gives high power handling capacity. A bullet shaped phase plug reduces compression due to temperature variations in the voice coil, avoids resonance problems which would occur in the volume between the dust cap and the pole piece and increases the long term power handling capacity. An extra large magnet provides high efficiency and low Q. The unit may be used in very small two-way ported systems producing an astonishingly deep bass and a clean, neutral midrange.

NOTES

Response curve recorded in anechoic chamber (Free-field, 4 pi radiation) with 0.5m microphone distance. The loudspeaker is mounted in a closed box of 2.5 l net. volume



NOMINAL IMPEDANCE	8 Ohms	VOICE COIL RESISTANCE	5.5 Ohms
RECOMMENDED FREQUENCY RANGE	55-3500 Hz	VOICE COIL INDUCTANCE (EQUIVALENT)	0.65 mH
SHORT TERM MAXIMUM POWER *	200 W	FORCE FACTOR	7.0 N/A
LONG TERM MAXIMUM POWER*	70 W	FREE AIR RESONANCE	53 Hz
CHARACTERISTIC SENSITIVITY (1W, 1m)	86 dB SPL	MOVING MASS	6.8 g
OPERATING POWER (96 dB SPL, 1 m)	10 W	AIR LOAD MASS IN IEC BAFFLE	0.2 g
		SUSPENSION COMPLIANCE	1.3 mm/N
VOICE COIL DIAMETER	26 mm	SUSPENSION MECHANICAL RESISTANCE	1.4 Ns/m
VOICE COIL HEIGHT	12 mm	EFFECTIVE PISTON AREA	50 sq.cm
AIR GAP HEIGHT	6.0 mm		
LINEAR COIL TRAVEL (p-p)	6.0 mm	VAS	4.6 Litres
MAXIMUM COIL TRAVEL (p-p)	9 mm	QMS	1.70
MAGNETIC GAP FLUX DENSITY	1.25 T	QES	0.26
MAGNET WEIGHT	0.42 Kg	QTS	0.23
TOTAL WEIGHT	1.21 Kg		

* = IEC 268-5