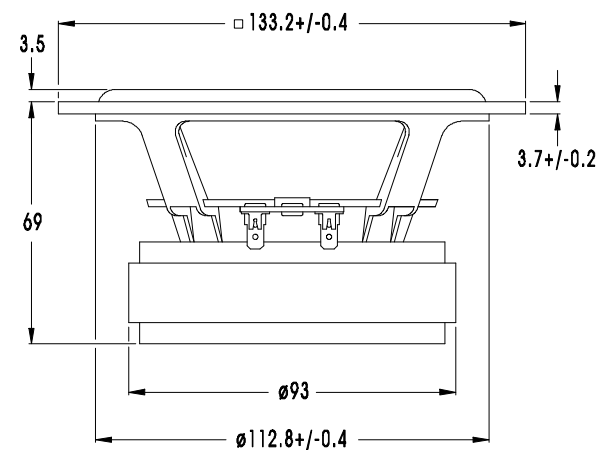
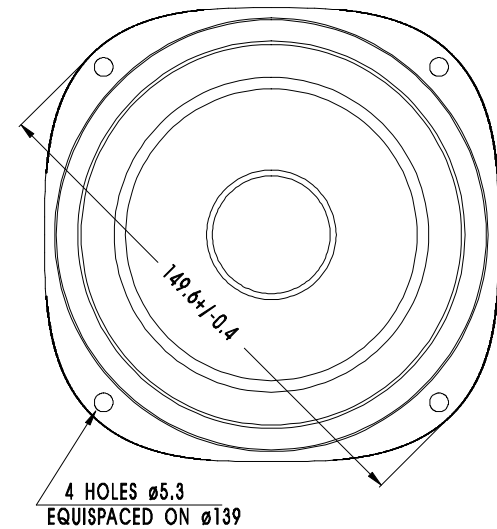


## WOOFER

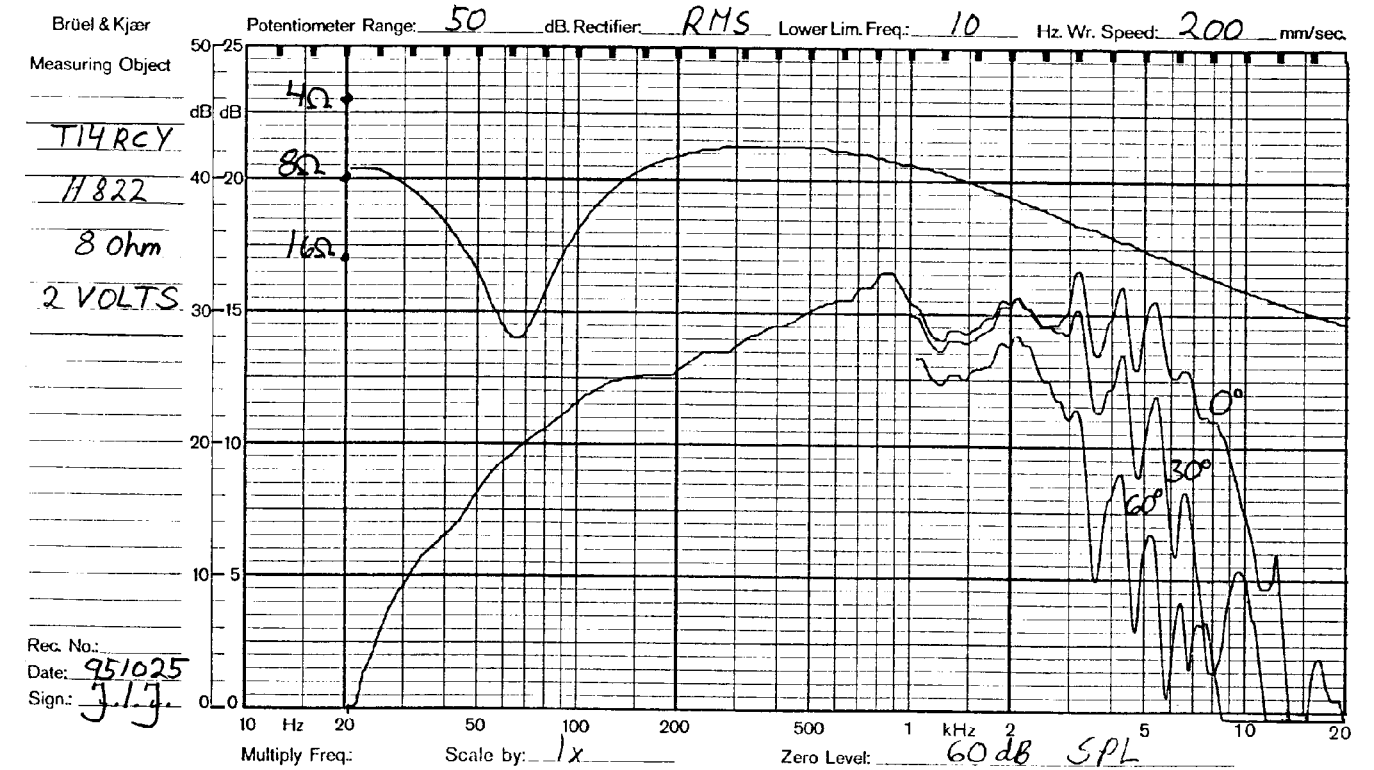
## T14RCY



T14RCY is a 5" High Fidelity bass/midrange unit with a stiff and stable injection moulded metal chassis. The fine low frequency response and a clean uncoloured midrange of this unit make small, high quality two way systems possible. High efficiency and smooth frequency response are products of the careful matching between a TPX/PP cone, a natural rubber surround and a soft PVC dust cap. A high temperature voice coil, wound on an aluminium voice coil former provides high power handling capacity. The large magnet system provides high sensitivity and a low Q for bass reflex applications. The T14RCY may also be applied as a specialized midrange in larger high quality systems; a rear enclosure with optimized shape and volume is available for this purpose.

### NOTES

Response curve recorded in anechoic chamber (Free-field, 4 pi radiation) with 0.5m microphone distance. The loudspeaker is mounted in a closed box of 7 l net. volume



NOMINAL IMPEDANCE	8 Ohms	VOICE COIL RESISTANCE	5.7 Ohms
RECOMMENDED FREQUENCY RANGE	50-3500 Hz	VOICE COIL INDUCTANCE (EQUIVALENT)	0.65 mH
SHORT TERM MAXIMUM POWER *	250 W	FORCE FACTOR	7.0 N/A
LONG TERM MAXIMUM POWER*	60 W	FREE AIR RESONANCE	42 Hz
CHARACTERISTIC SENSITIVITY (1W, 1m)	86.5 dB SPL	MOVING MASS	10.0 g
OPERATING POWER (96 dB SPL, 1 m)	9.0 W	AIR LOAD MASS IN IEC BAFFLE	0.5 g
		SUSPENSION COMPLIANCE	1.4 mm/N
VOICE COIL DIAMETER	26 mm	SUSPENSION MECHANICAL RESISTANCE	1.3 Ns/m
VOICE COIL HEIGHT	12 mm	EFFECTIVE PISTON AREA	80 sq.cm
AIR GAP HEIGHT	6.0 mm		
LINEAR COIL TRAVEL (p-p)	6.0 mm	VAS	12.2 Litres
MAXIMUM COIL TRAVEL (p-p)	14 mm	QMS	2.13
MAGNETIC GAP FLUX DENSITY	1.25 T	QES	0.32
MAGNET WEIGHT	0.42 Kg	QTS	0.28
TOTAL WEIGHT	1.25 Kg		

\* = IEC 268-5