



# A 17 RC

## A 17 RC, 6½" High Fidelity woofer

Chassis: magnesium, injection moulded, black.

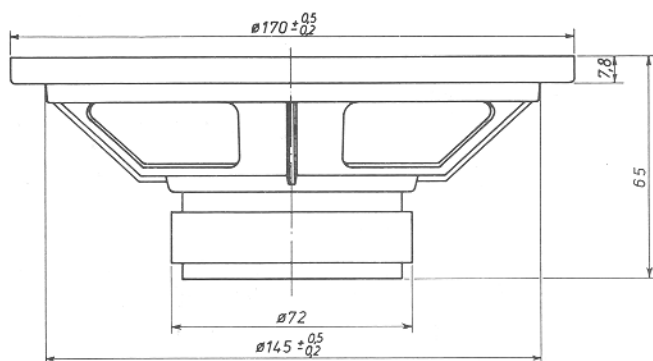
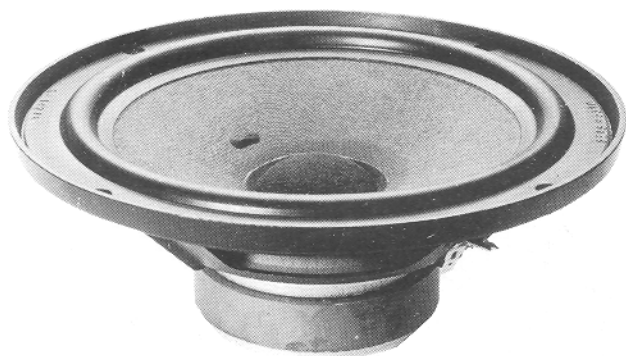
Surround: rubber.

Cone: paper.

Dust Cap: textile.

Mounting holes: 4 x 5 mm, equispaced on PCD 156 mm

The A 17 RC is a small woofer with amazing performance and accuracy. The speaker has a paper cone and rubber surround.



### Technical data:

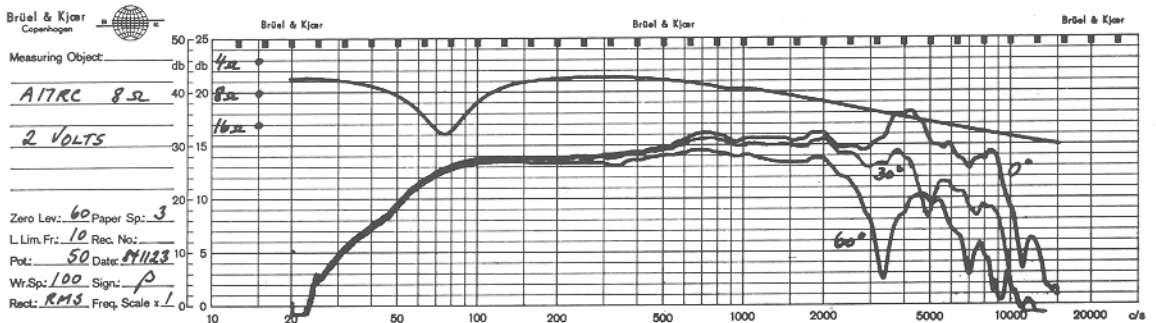
8 ohms

Recommended frequency range	40 - 4000	Hz	Voice coil inductance	1,1	mH
Nominal power (DIN 45573)	40	W	Voice coil resistance	5,7	ohms
Music power (DIN 45 500)	45	W	Effective diaphragm area	140	cm <sup>2</sup>
Characteristic sensitivity (1m, 1w)	89	dB SPL	Moving mass	8,5	g
Operating power (DIN 45500)	5,0	W	Air load mass in baffle	1	g
Voice coil diameter	26	mm	Free air resonance	40	Hz
Voice coil height	12	mm	Mechanical suspension resistance	1,1	Ns/m
Air gap height	6	mm	Thiele - small parameters		
Flux density	0,9	T	Vas	46	litres
Force factor	5,5	Wb/m	Qms	2,2	
Recommended enclosure volumes:			Qes	0,45	
Closed cabinet	7 - 15	litres	Qts	0,37	
Bass reflex cabinet	10 - 15	litres			
Weight	0,62	kg			
Magnet weight	0,25	kg			

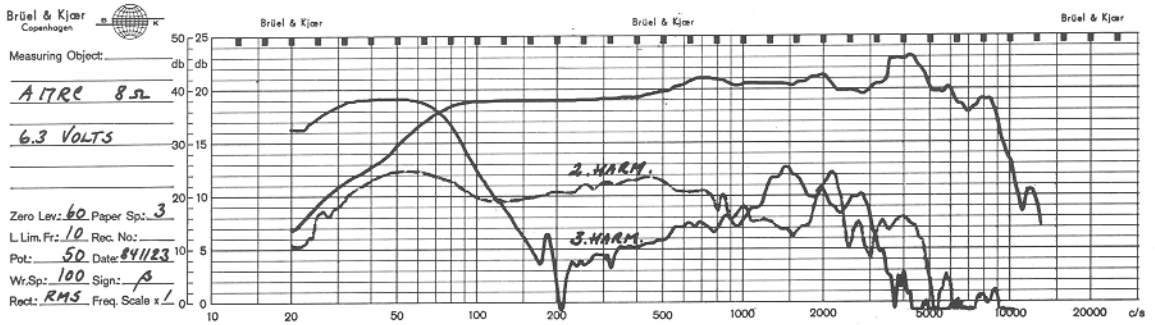
### NOTES:

Response curves recorded in anechoic chamber (Free-Field, 4 $\pi$ -radiation) with 0.5 m microphone distance. The loudspeaker is mounted in a closed box of 12 l net volume:

A Sound pressure on and off axis, and impedance:



B Sound pressure and distortion on axis. The distortion components are raised by 20 dB:



C Sound pressure response to 4 Volts step function:

