



10F-M

10 F-M, 4" High Fidelity midrange unit

Chassis: magnesium, injection moulded, black.

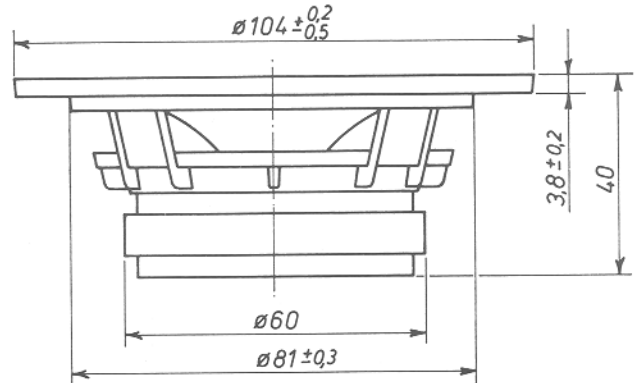
Cone: paper, coated.

Dust Cap: textile, coated.

Mounting holes: 4 x 5 mm, equispaced on PCD 95 mm

The performance of the 10 F-M has been optimized for the midrange frequency spectrum by treatment of the cone and corrugated surround with a special damping material. The powerful ceramic magnet yields high sensitivity and in three way systems the unit is capable of handling up to 50 W.

Cabinet design can be simplified by application of the acoustically optimized plastic enclosure available for this unit.



Technical data:

8 ohms

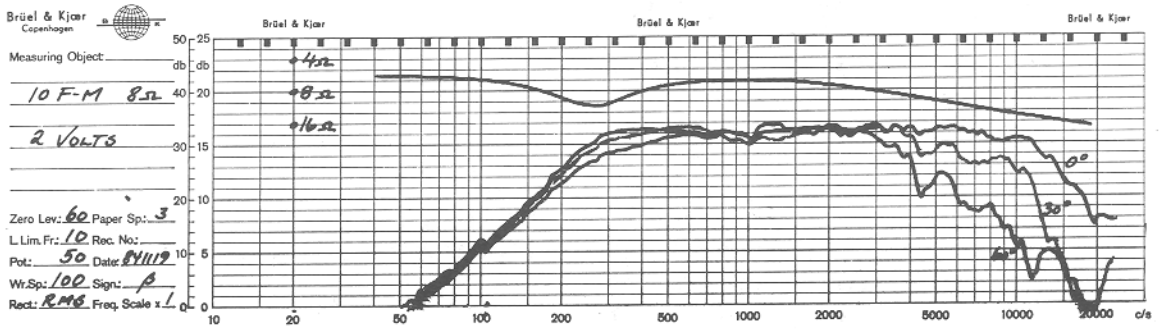
Recommended frequency range	500 - 5000	Hz	Voice coil inductance	0,3	mH
Nominal power (DIN 45573)	50	W 1)	Voice coil resistance	5,7	ohms
Music power (DIN 45 500)	-	W	Effective diaphragm area	40	cm ²
Characteristic sensitivity (lm, lw)	89	dB SPL	Moving mass	1,7	g
Operating power (DIN 45500)	5,0	W	Air load mass in baffle	0,1	g
Voice coil diameter	19,5	mm	Free air resonance	180	Hz
Voice coil height	5,3	mm	Mechanical suspension resistance	1,1	Ns/m
Air gap height	4,0	mm	Thiele - small parameters		
Flux density	0,95	T	Vas	1	litres
Force factor	3,7	Wb/m	Qms	1,9	
Recommended enclosure volumes:			Qes	0,85	
Closed cabinet	0,5 - 1	litres	Qts	0,58	
Weight	0,30	kg			
Magnet weight	0,10	kg			

1) Crossover frequency 800 Hz, 6 db/oct.

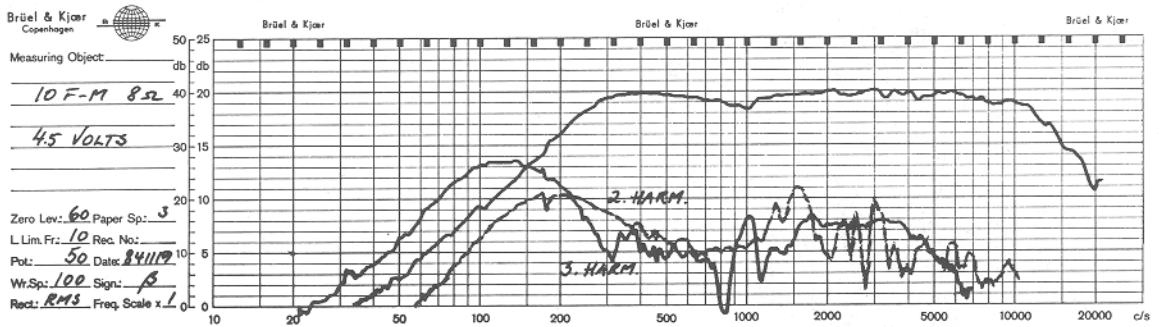
NOTES:

Response curves recorded in anechoic chamber (Free-Field, 4π -radiation) with 0.5 m microphone distance. The loudspeaker with a rear chamber of 0.45 l volume is mounted in a 0.6 m by 0.8 m baffle:

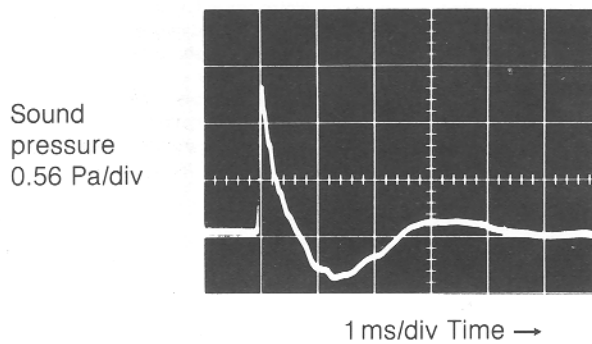
A Sound pressure on and off axis, and impedance:



B Sound pressure and distortion on axis. The distortion components are raised by 20 dB:



C Sound pressure response to 4 Volts step function:



Seas Fabrikker a.s
P.O.Box 600, Høyden, N-1501 Moss, Norway
Phone +47-32-65 811
Telex N 18419

Note: New telex no. 78419 SEAS N from June 20. 1985