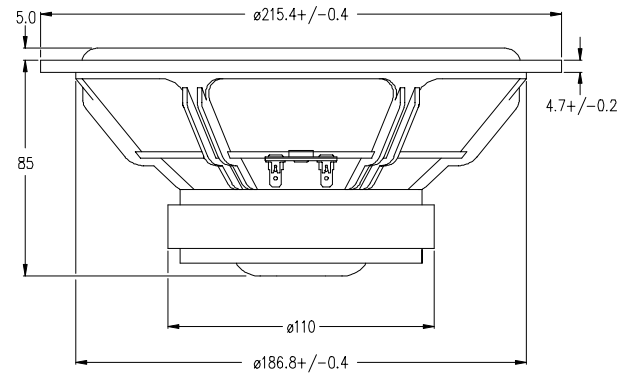
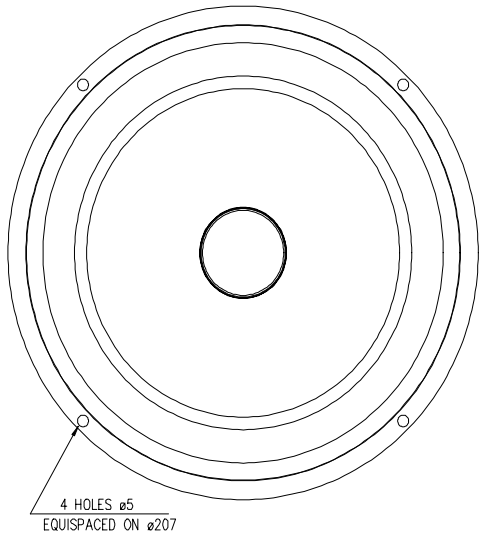


WOOFER

L21RN4X/P

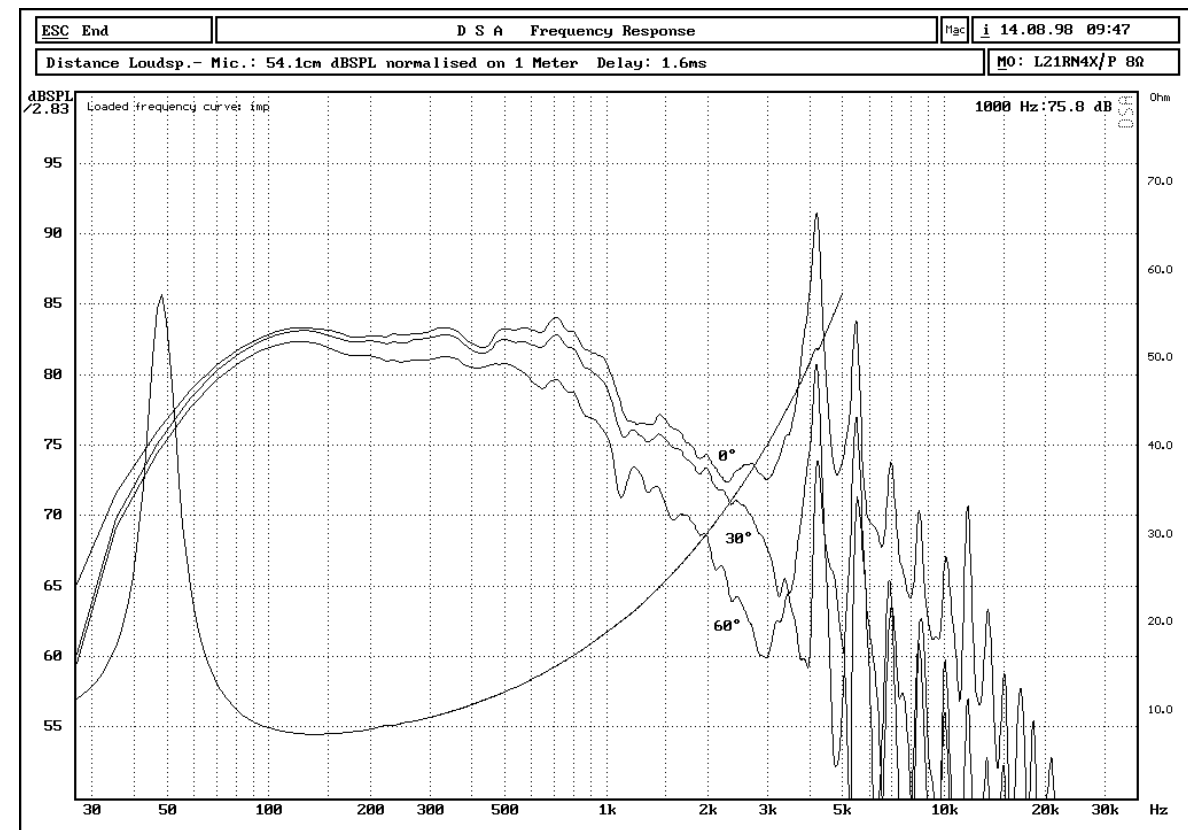


The L21RN4X/P is an 8" cone driver with an injection moulded metal chassis and developed for use as a high fidelity woofer unit.

The extremely stiff aluminum cone gives tremendous bass precision. The cone and the low loss rubber surround show no sign of the familiar 500-1500 Hz cone edge resonance and distortion associated with soft cones. On the other hand, the cone break up modes at higher frequencies call for special attention in the crossover design work. A 4-layer, extremely long, high temperature voice coil wound on an aluminium voice coil former gives a high power handling capacity. The phase plug reduces compression due to temperature variations in the voice coil, eliminates resonances that would occur in the volume between the dust cap and the pole piece and increases the power handling capacity. The large magnet system provides reasonably high efficiency and low Q.

NOTES

Response curve recorded in anechoic chamber (Free-field, 4 pi radiation) with 0.5m microphone distance. The loudspeaker is mounted in a closed box of 20 l net. volume



NOMINAL IMPEDANCE	8 Ohms	VOICE COIL RESISTANCE	6.0 Ohms
RECOMMENDED FREQUENCY RANGE	20-1000 Hz	VOICE COIL INDUCTANCE (EQUIVALENT)	2.7 mH
SHORT TERM MAXIMUM POWER *	300 W	FORCE FACTOR	11.0 N/A
LONG TERM MAXIMUM POWER *	125 W	FREE AIR RESONANCE	23 Hz
CHARACTERISTIC SENSITIVITY (1W, 1m)	86.5 dB SPL	MOVING MASS	40.0 g
OPERATING POWER (96 dB SPL, 1 m)	9.0 W	AIR LOAD MASS IN IEC BAFFLE	2.0 g
		SUSPENSION COMPLIANCE	1.2 mm/N
VOICE COIL DIAMETER	39.0 mm	SUSPENSION MECHANICAL RESISTANCE	1.7 Ns/m
VOICE COIL HEIGHT	20.0 mm	EFFECTIVE PISTON AREA	220 sq.cm
AIR GAP HEIGHT	6.0 mm		
LINEAR COIL TRAVEL (p-p)	14.0 mm	VAS	77 Litres
MAXIMUM COIL TRAVEL (p-p)	21.0 mm	QMS	3.61
MAGNETIC GAP FLUX DENSITY	0.9 T	QES	0.30
MAGNET WEIGHT	0.64 Kg	QTS	0.28
TOTAL WEIGHT	2.00 Kg		

* = IEC 268-5