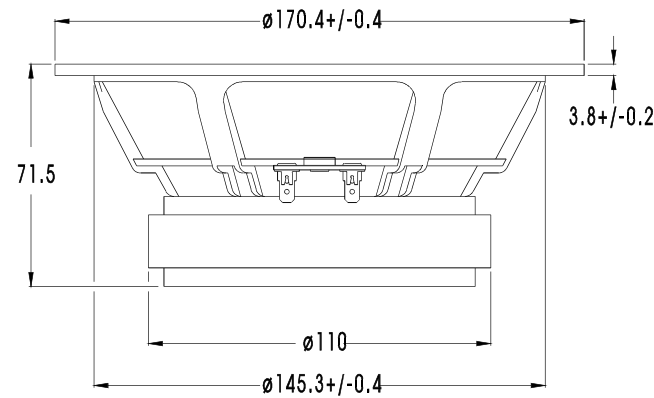
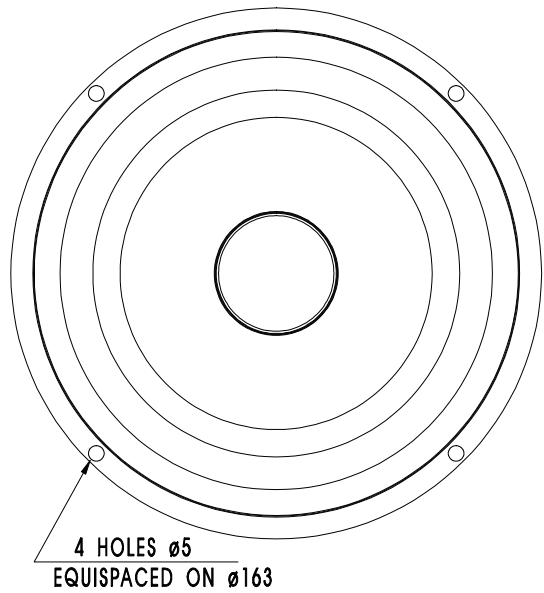


WOOFER

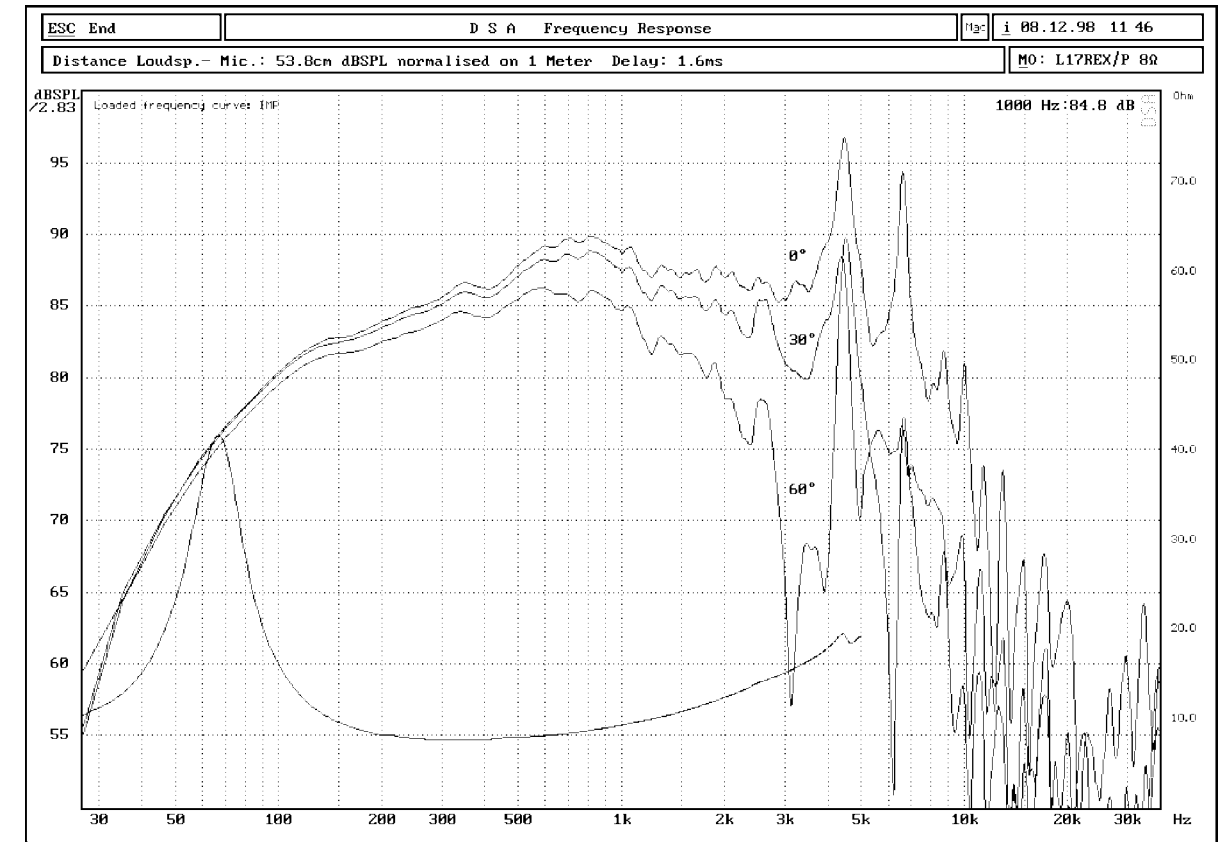
L17REX/P



L17REX/P is a 6,5" High Fidelity woofer with an injection moulded metal chassis, intended for bass reflex and transmission line designs. The stiff, yet light aluminium cone and the low loss rubber surround show no sign of the familiar 500-1500 Hz cone edge resonance and distortion associated with soft cones. On the other hand, the cone break up modes at higher frequencies call for special attention in the crossover design work. A high temperature voice coil, with a relatively large diameter, wound on an aluminium voice coil former gives a high power handling capacity. The phase plug reduces compression due to temperature variations in the voice coil, eliminates resonances that would occur in the volume between the dust cap and the pole piece and increases the power handling capacity. The large magnet system provides high efficiency and low Q.

NOTES

Response curve recorded in anechoic chamber (Free-field, 4 pi radiation) with 0.5m microphone distance. The loudspeaker is mounted in a closed box of 12 l net volume.



NOMINAL IMPEDANCE	8 Ohms	VOICE COIL RESISTANCE	6.1 Ohms
RECOMMENDED FREQUENCY RANGE	40-2500 Hz	VOICE COIL INDUCTANCE (EQUIVALENT)	0,9 mH
SHORT TERM MAXIMUM POWER *	250 W	FORCE FACTOR	9,2 N/A
LONG TERM MAXIMUM POWER *	100 W	FREE AIR RESONANCE	39 Hz
CHARACTERISTIC SENSITIVITY (1W , 1m)	88.5 dB SPL	MOVING MASS	14,5 g
OPERATING POWER (96 dB SPL , 1 m)	5.5 W	AIR LOAD MASS IN IEC BAFFLE	1.0 g
		SUSPENSION COMPLIANCE	1.4 mm/N
VOICE COIL DIAMETER	39 mm	SUSPENSION MECHANICAL RESISTANCE	2.0 Ns/m
VOICE COIL HEIGHT	14 mm	EFFECTIVE PISTON AREA	120 sq.cm
AIR GAP HEIGHT	6.0 mm		
LINEAR COIL TRAVEL (p-p)	8.0 mm	VAS	20.8 Litres
MAXIMUM COIL TRAVEL (p-p)	19 mm	QMS	1.70
MAGNETIC GAP FLUX DENSITY	1.0 T	QES	0.29
MAGNET WEIGHT	0.64 Kg	QTS	0.25
TOTAL WEIGHT	1.81 Kg		

* = IEC 268-5