



# 25F-EWX

## 25 F-EWX, 10" High Fidelity woofer.

*Chassis: magnesium, injection moulded, black.*

*Surround: rubber.*

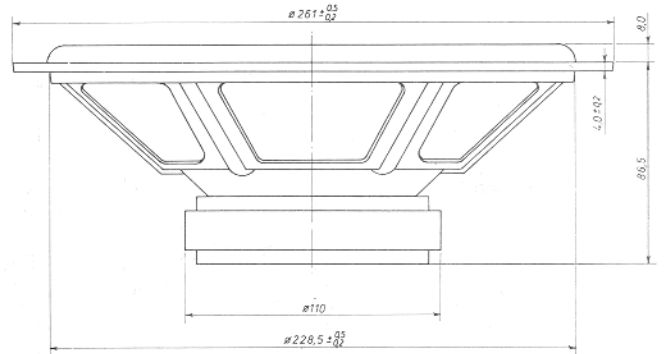
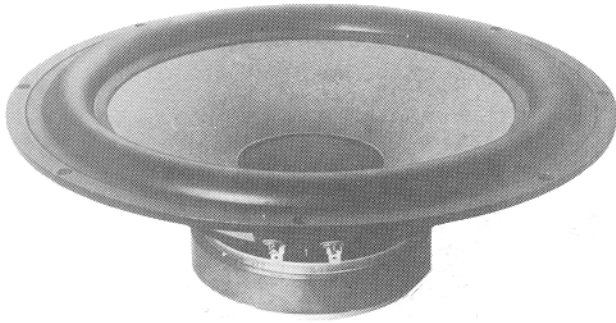
*Cone: paper.*

*Dust Cap: paper.*

*Mounting holes: 8 x 5 mm, equispaced on PCD 253 mm*

Proper matching of all the elements has given this woofer a smooth frequency response and a good transient response. The natural roll off characteristic simplifies crossover design. The four layer voice coil secures a good utilization of the large magnet system resulting in a very high force factor and low Q-value.

The low Q-value makes the woofer well suited for bass reflex systems. To optimize the large signal behaviour in such systems the speaker has been equipped with a smoothly progressive suspension.



### Technical data:

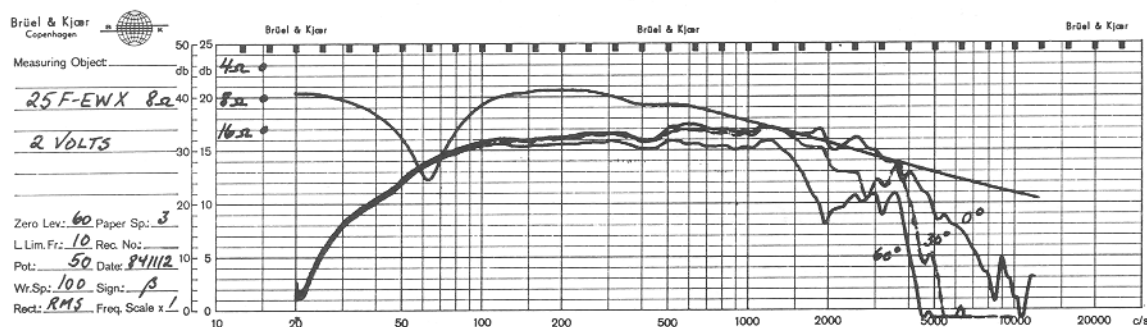
**8 ohms**

Recommended frequency range	30 - 1500	Hz	Voice coil inductance	2,6	mH
Nominal power (DIN 45573)	60	W	Voice coil resistance	5,8	ohms
Music power (DIN 45 500)	100	W	Effective diaphragm area	350	cm <sup>2</sup>
Characteristic sensitivity (1m, 1w)	91	dB SPL	Moving mass	33	g
Operating power (DIN 45500)	3,2	W	Air load mass in baffle	4	g
Voice coil diameter	39	mm	Free air resonance	26	Hz
Voice coil height	14	mm	Mechanical suspension resistance	1,6	Ns/m
Air gap height	6	mm	Thiele - small parameters		
Flux density	0,90	T	Vas	175	litres
Force factor	12,0	Wb/m	Qms	3,8	
Recommended enclosure volumes:			Qes	0,24	
Closed cabinet	25 - 35	litres	Qts	0,23	
Bass reflex cabinet	30 - 40	litres			
Weight	1,7	kg			
Magnet weight	0,64	kg			

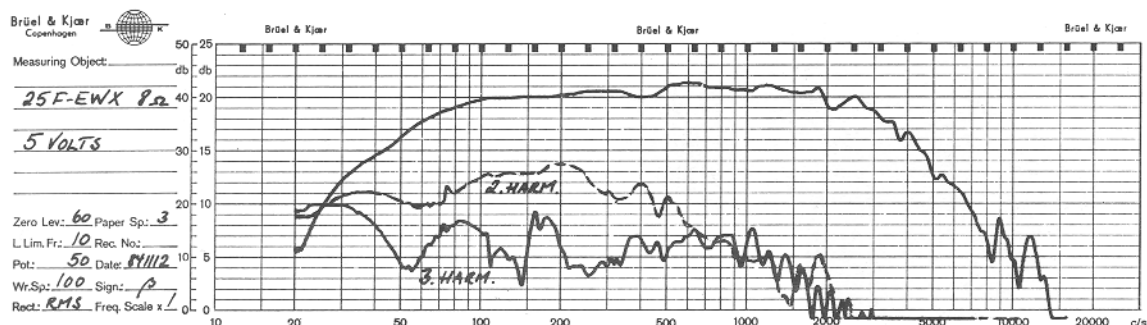
### NOTES:

Response curves recorded in anechoic chamber (Free-Field,  $4\pi$ -radiation) with 0.5 m microphone distance. The loudspeaker is mounted in a closed box of 28 l net volume:

A Sound pressure on and off axis, and impedance:

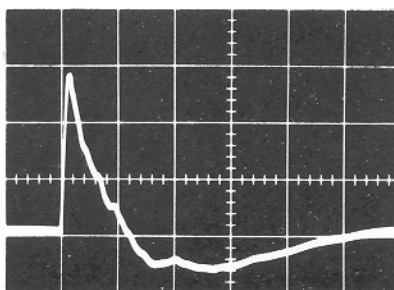


B Sound pressure and distortion on axis. The distortion components are raised by 20 dB:



C Sound pressure response to 4 Volts step function:

Sound  
 pressure  
 0.56 Pa/div



2 ms/div Time →

**seas**

Seas Fabrikker a.s  
 P.O.Box 600, Høyden, N-1501 Moss, Norway  
 Phone +47-32-65 811  
 Telex N 18419

Note: New telex no. 78419 SEAS N from June 20. 1985