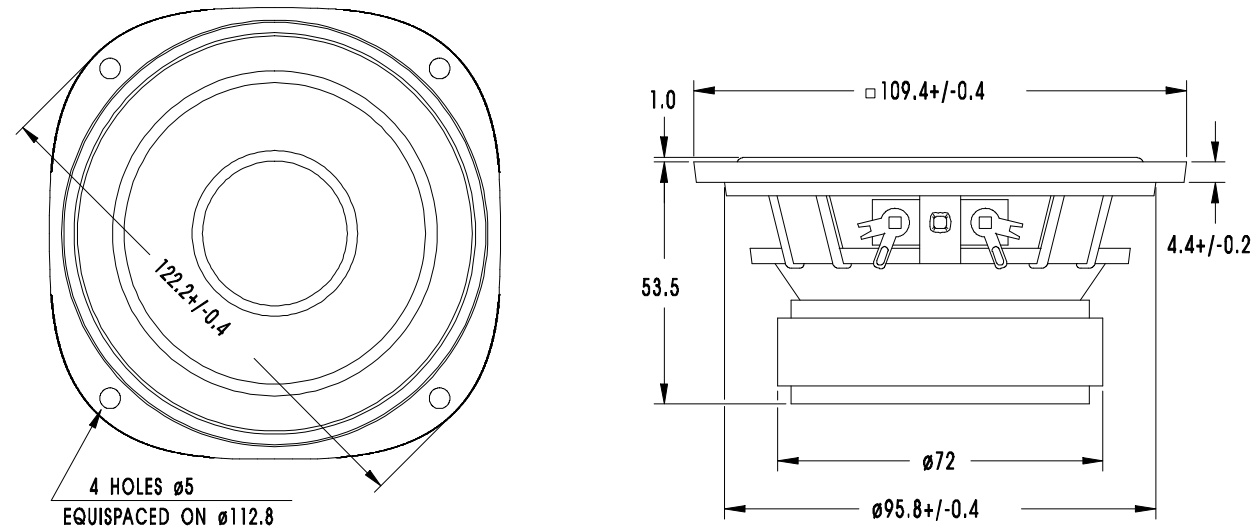


MIDRANGE MCA11FC

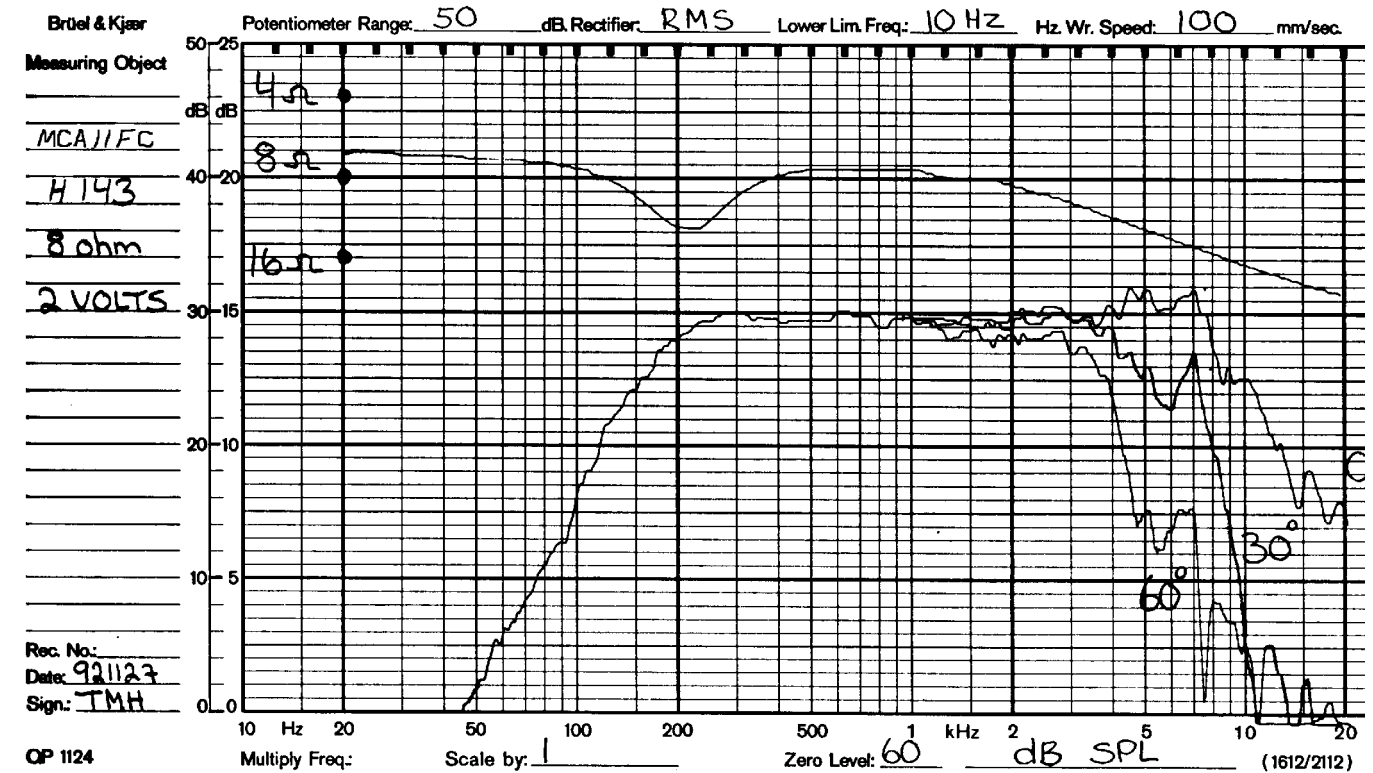


MCA11FC (11F-M) is a 4.5" High Fidelity midrange unit with a stiff and stable injection moulded metal basket. The specially treated paper cone and the mechanically matching foam surround give an unusually smooth midrange response. A 1" high temperature voice coil wound on an aluminium voice coil former allows a very high power handling capacity.

A rear enclosure with optimized shape and volume is available. The dust cap is made from coated fabric.

NOTES

Response curve recorded in anechoic chamber (Free-field, 4 pi radiation) with 0.5m microphone distance. The loudspeaker with a 0.8 l rear chamber is mounted in a standard IEC baffle.



NOMINAL IMPEDANCE	8 Ohms	VOICE COIL RESISTANCE	6.5 Ohms
RECOMMENDED FREQUENCY RANGE	400-5000 Hz	VOICE COIL INDUCTANCE (EQUIVALENT	0.35 mH
SHORT TERM MAXIMUM POWER *	400 W	FORCE FACTOR	4.7 N/A
LONG TERM MAXIMUM POWER*	110 W	FREE AIR RESONANCE	140 Hz
CHARACTERISTIC SENSITIVITY (1W, 1m)	89 dB SPL	MOVING MASS	4.0 g
OPERATING POWER (96 dB SPL, 1 m)	5.0 W	AIR LOAD MASS IN IEC BAFFLE	0.2 g
		SUSPENSION COMPLIANCE	0.3 mm/N
VOICE COIL DIAMETER	26 mm	SUSPENSION MECHANICAL RESISTANCE	1.7 Ns/m
VOICE COIL HEIGHT	5.8 mm	EFFECTIVE PISTON AREA	55 sq.cm
AIR GAP HEIGHT	4.0 mm		
LINEAR COIL TRAVEL (p-p)	1.8 mm	VAS	1.3 Litres
MAXIMUM COIL TRAVEL (p-p)	---	QMS	2.17
MAGNETIC GAP FLUX DENSITY	1.1 T	QES	1.09
MAGNET WEIGHT	0.25 Kg	QTS	0.72
TOTAL WEIGHT	0.66 Kg		

* IEC 268-5, VIA HIGH PASS BUTTERWORTH FILTEI 800Hz 6 dB/oct.