



21 F-WBX_{and} /DD

21 F-WBX, 8" High Fidelity woofer

21 F-WBX/DD, 8" High Fidelity woofer with Dynamic Damping

Chassis: magnesium, injection moulded, black.

Surround: foam.

Cone: paper, edge coated.

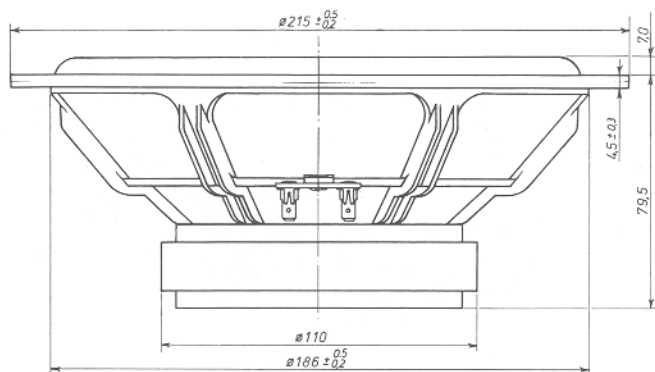
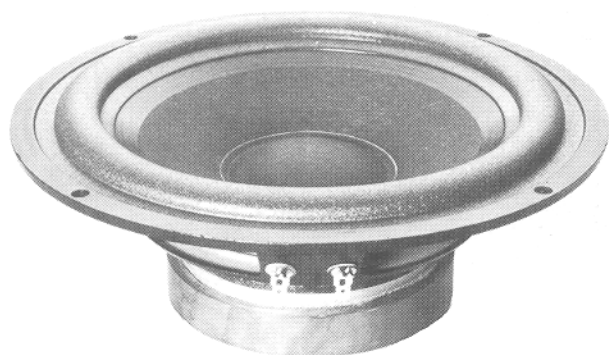
Dust Cap: paper.

Mounting holes: 4 x 5 mm, equispaced on PCD 207 mm

High efficiency woofer with very high power handling capacity, low distortion level and excellent transient response capability. It has been specially designed for use in bass reflex systems. The magnet system is large and its special design linearizes the magnetic field and secures very low distortion. The smoothly progressive suspension eliminates instability and prevents inter-modulation distortion.

The Dynamic Damping (patented) improves low bass transient quality at high power levels. This unit is especially capable of handling large power peaks in the bass region.

The DD- model, equipped with our patented «Dynamic Damping», has improved low bass transient behaviour at high power levels.



Technical data:

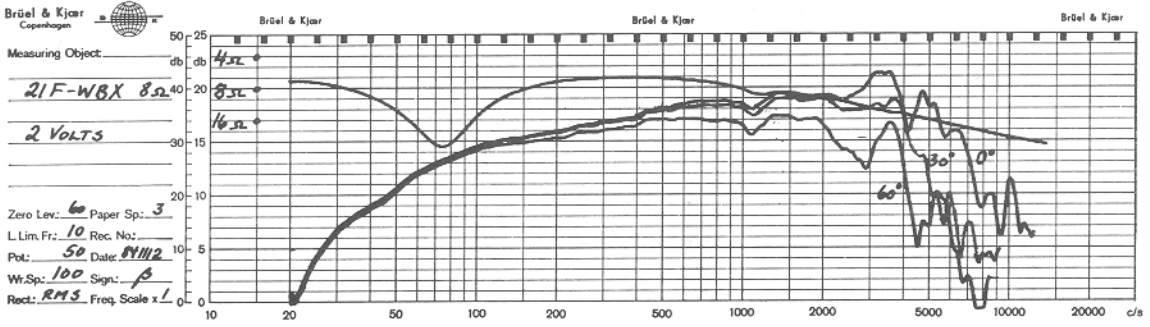
8 ohms

Recommended frequency range	35 - 3000	Hz	Voice coil inductance	1,1	mH
Nominal power (DIN 45573)	60	W	Voice coil resistance	6,1	ohms
Music power (DIN 45 500)	100	W	Effective diaphragm area	230	cm ²
Characteristic sensitivity (1m, 1w)	93	dB SPL	Moving mass	15	g
Operating power (DIN 45500)	2,0	W	Air load mass in baffle	2	g
Voice coil diameter	39	mm	Free air resonance	35	Hz
Voice coil height	12	mm	Mechanical suspension resistance	1,7	Ns/m
Air gap height	6	mm	Thiele - small parameters		
Flux density	1,0	T	Vas	90	litres
Force factor	8,5	Wb/m	Qms	2,2	
Recommended enclosure volumes:			Qes	0,32	
Closed cabinet	-	litres	Qts	0,28	
Bass reflex cabinet	20 - 30	litres			
Weight	1,60	kg			
Magnet weight	0,64	kg			

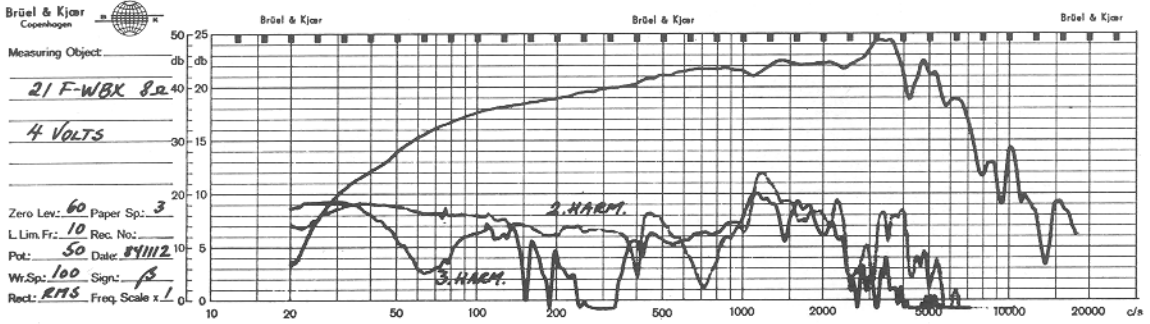
NOTES:

Response curves recorded in anechoic chamber (Free-Field, 4π -radiation) with 0.5 m microphone distance. The loudspeaker is mounted in a closed box of 20 l net volume:

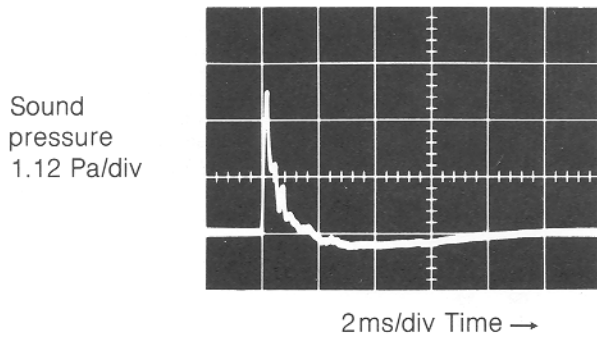
A Sound pressure on and off axis, and impedance:



B Sound pressure and distortion on axis. The distortion components are raised by 20 dB:



C Sound pressure response to 4 Volts step function:



Seas Fabrikker a.s
P.O.Box 600, Høyden, N-1501 Moss, Norway
Phone +47-32-65 811
Telex N 18419

Note: New telex no. 78419 SEAS N from June 20. 1985