

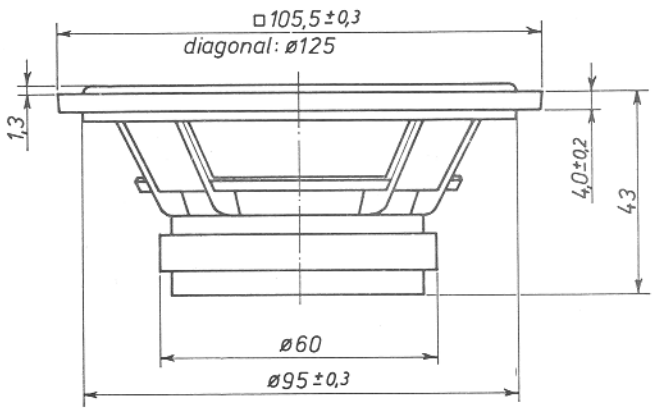
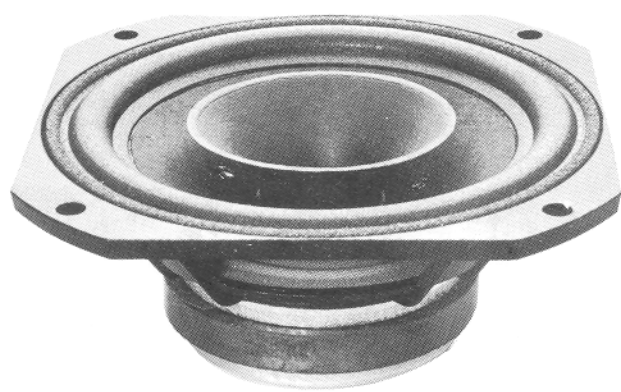


11 F-LGWD

11 F-LGWD, 4 1/2" Full range unit

Chassis: magnesium, injection moulded, black.
 Surround: foam.
 Cone: paper.
 Mounting holes: 4 x 5 mm, equispaced on PCD 116 mm

This is a high quality unit with a pleasant and well balanced hifi-reproduction up to above 20 kHz. A well designed suspension system enables it to be used in cabinets of all sizes, and the possible applications are therefore numerous: PA-systems, small hi-fi speakers, kitchen speakers, car speakers etc.



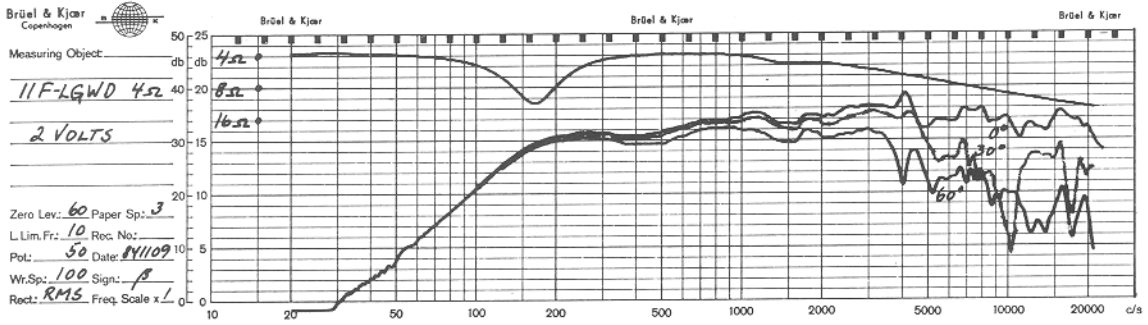
Technical data:		4 ohms			
Recommended frequency range	90 - 22000	Hz		Voice coil inductance	0,3 mH
Nominal power (DIN 45573)	12	W		Voice coil resistance	3,8 ohms
Music power (DIN 45 500)	30	W		Effective diaphragm area	55 cm ²
Characteristic sensitivity (lm, lw)	90	dB SPL		Moving mass	2,8 g
Operating power (DIN 45500)	4,0	W		Air load mass in baffle	0,2 g
Voice coil diameter	19,5	mm		Free air resonance	110 Hz
Voice coil height	5,3	mm		Mechanical suspension resistance	1 Ns/m
Air gap height	4,0	mm		Thiele - small parameters	
Flux density	0,95	T		Vas	3 litres
Force factor	3,2	Wb/m	4,0	Qms	2,1
Recommended enclosure volumes:				Qes	0,77
Closed cabinet	2 - ∞	litres		Qts	0,56
Bass reflex cabinet		litres			
Weight	0,32	kg			
Magnet weight	0,10	kg			

Handwritten notes:
 5.7
 PR
 2.96
 0.74
 0.51
 RMS 2.07

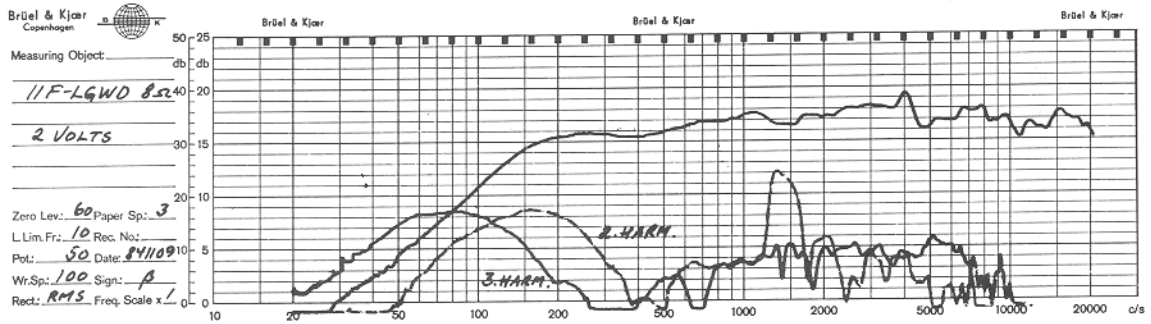
NOTES:

Response curves recorded in anechoic chamber (Free-Field, 4π -radiation) with 0.5 m microphone distance. The loudspeaker is mounted in a closed box of 2.5 l net volume:

A Sound pressure on and off axis, and impedance:

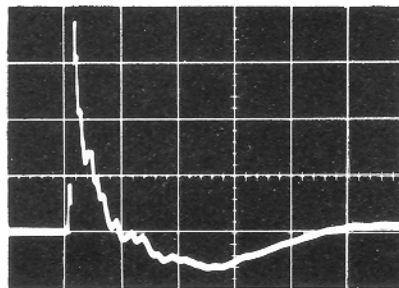


B Sound pressure and distortion on axis. The distortion components are raised by 20 dB:



C Sound pressure response to 4 Volts step function:

Sound pressure
0.56 Pa/div



1 ms/div Time →



Seas Fabrikker a.s
P.O.Box 600, Høyden, N-1501 Moss, Norway
Phone +47-32-65 811
Telex N 18419

Note: New telex no. 78419 SEAS N from June 20. 1985