



CA 17 RC

CA 17 RC, 6½" High Fidelity woofer

Chassis: magnesium, injection moulded, black.

Surround: rubber.

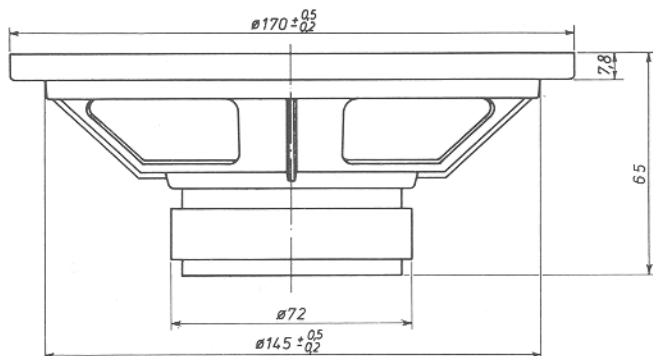
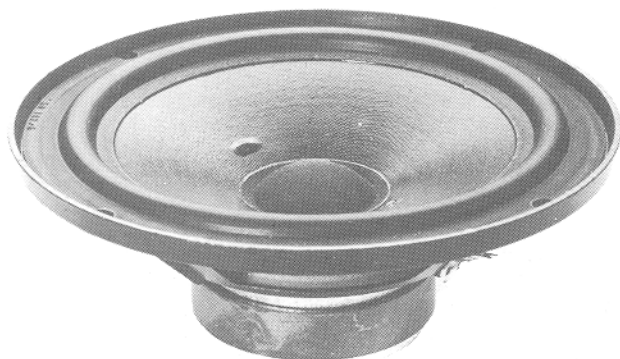
Cone: paper, coated.

Dust Cap: textile.

Mounting holes: 4 x 5 mm, equispaced on PCD 156 mm

The CA 17 RC is a 6½" woofer utilizing a selected paper cone and rubber surround. The unit has a smooth accurate performance which extends to 4000 Hz. The special treatment of the cone produces a well behaved

roll off characteristic which simplifies cross over design. The treatment of the cone also reduces potential resonance problems.



Technical data:

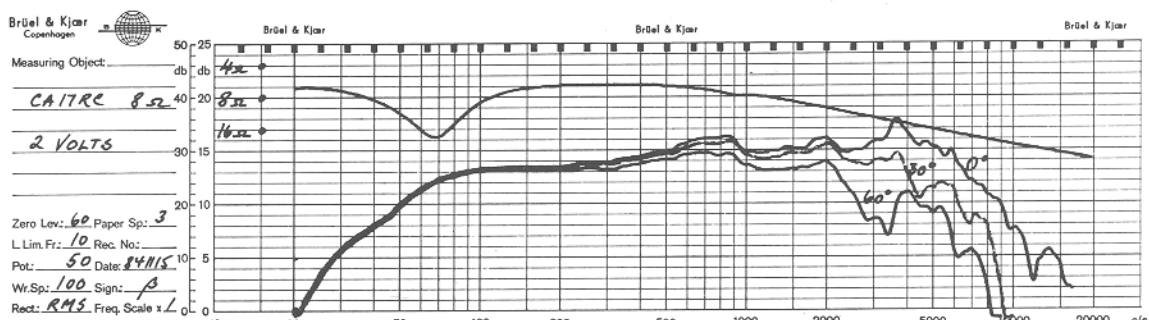
8 ohms

Recommended frequency range	40 - 4000	Hz	Voice coil inductance	1,1	mH
Nominal power (DIN 45573)	40	W	Voice coil resistance	5,7	ohms
Music power (DIN 45 500)	45	W	Effective diaphragm area	140	cm ²
Characteristic sensitivity (1m, 1w)	88	dB SPL	Moving mass	10	g
Operating power (DIN 45500)	6,3	W	Air load mass in baffle	1	g
Voice coil diameter	26	mm	Free air resonance	37	Hz
Voice coil height	12	mm	Mechanical suspension resistance	1,1	Ns/m
Air gap height	6	mm	Thiele - small parameters		
Flux density	0,9	T	Vas	46	litres
Force factor	5,5	Wb/m	Qms	2,3	
Recommended enclosure volumes:			Qes	0,48	
Closed cabinet	7 - 15	litres	Qts	0,40	
Bass reflex cabinet	10 - 15	litres			
Weight	0,62	kg			
Magnet weight	0,25	kg			

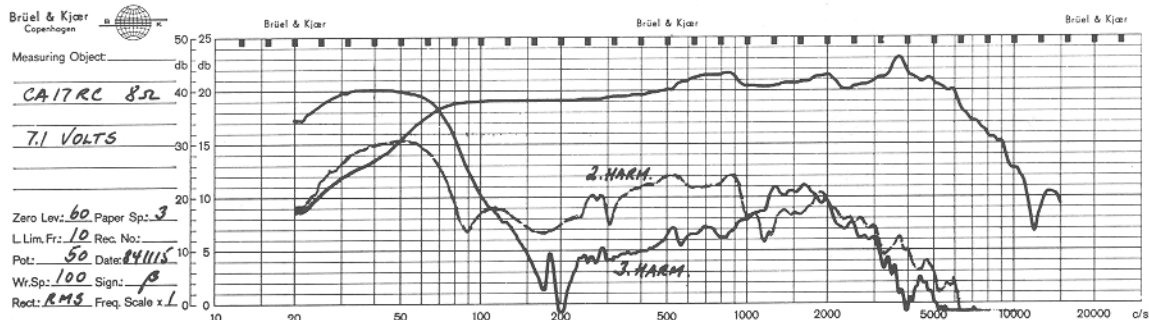
NOTES:

Response curves recorded in anechoic chamber (Free-Field, 4 π -radiation) with 0.5 m microphone distance. The loudspeaker is mounted in a closed box of 12 l net volume:

A Sound pressure on and off axis, and impedance:

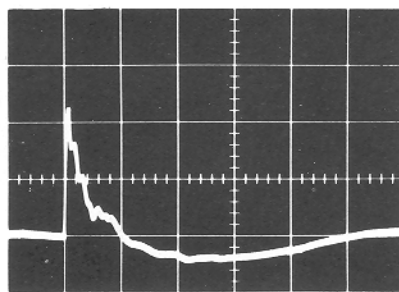


B Sound pressure and distortion on axis. The distortion components are raised by 20 dB:



C Sound pressure response to 4 Volts step function:

Sound
pressure
0.56 Pa/div



2ms/div Time →



Seas Fabrikker a.s
P.O.Box 600, Høyden, N-1501 Moss, Norway
Phone + 47-32-65 811
Telex N 18419

Note: New telex no. 78419 SEAS N from June 20. 1985