



H 253

1" Dome H 253, High Fidelity Dome Tweeter

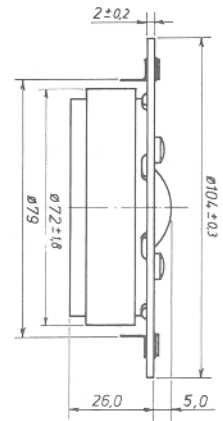
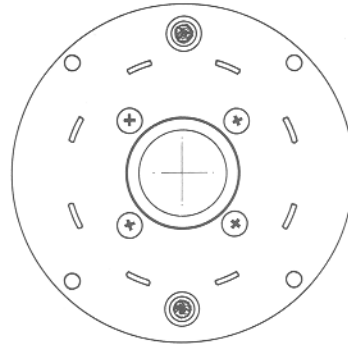
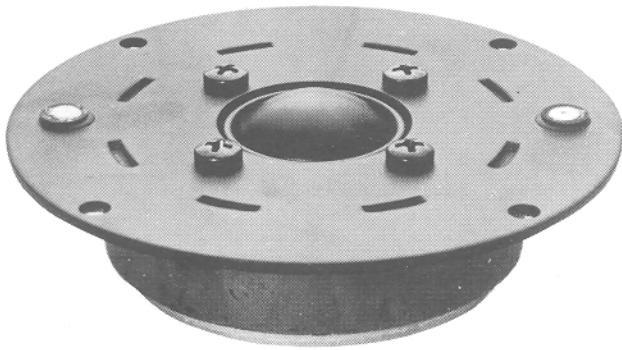
Chassis: aluminium, black.

Diaphragm: soft dome, polyamide, black.

Mounting holes: 4 x 5 mm, equispaced on PCD 95 mm

The H 253 is a 1" dome tweeter featuring high efficiency and smooth response in its operating range. With proper filtering the H 253 can be used in two way systems with more than 80 W power handling capacity. The addition of magnetic oil (ferro fluid) to the voice coil gap, measurably improves the performance. The

short term power handling capacity is considerably increased, the Q value at resonance is significantly reduced simplifying crossover design and the compression at high power levels is reduced.



Technical data:

6 ohms

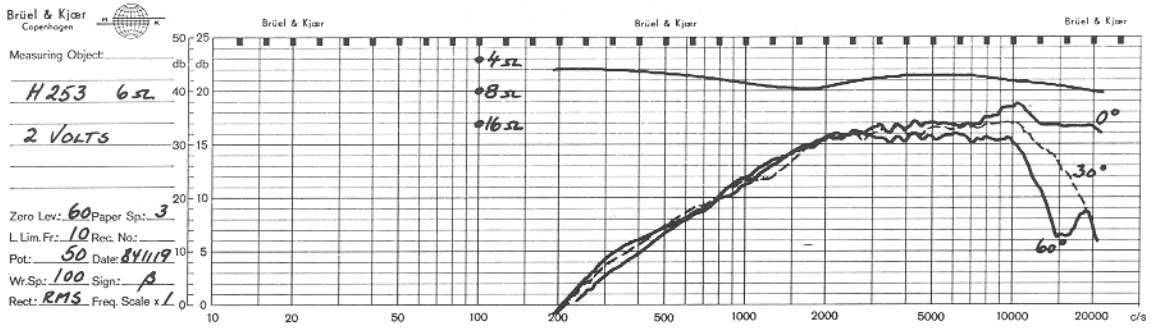
Recommended frequency range	3000-25 000	Hz	Voice coil resistance:	4,8	ohms
Nominal power (DIN 45573)	80	W 1)	Effective diaphragm area	7	cm ²
Music power (DIN 45500)	-	W	Moving mass	0,3	g
Characteristic sensitivity (Im,lw)	90	dB SPL	Free air resonance	1400	Hz
Operating power (DIN 45500):	4,0	W	Weight	0,56	kg
Voice coil diameter	26	mm	Magnet weight	0,25	kg
Voice coil height	1,5	mm			
Air gap height	2,0	mm			
Flux density:	1,8	T			
Force factor	3,5	Wb/m			

1) Crossover frequency 3500 Hz, 12 dB/oct.

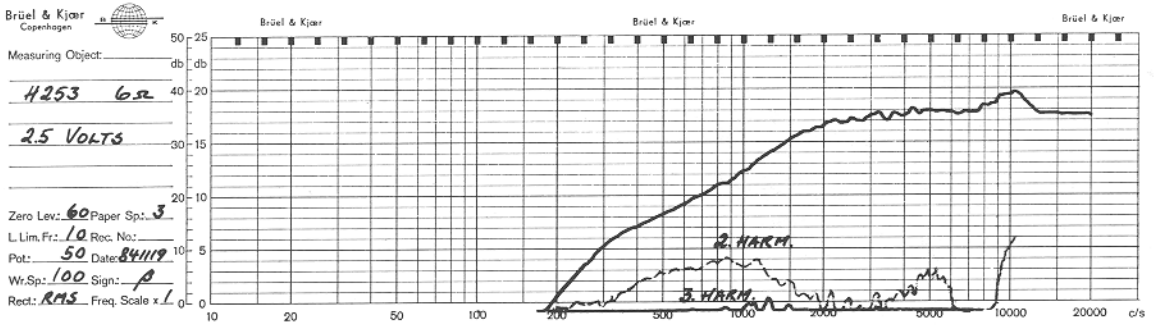
NOTES:

Response curves recorded in anechoic chamber (Free-Field, 4π -radiation) with 0.5 m microphone distance. The loudspeaker is mounted in a 0.6 m by 0.8 m baffle:

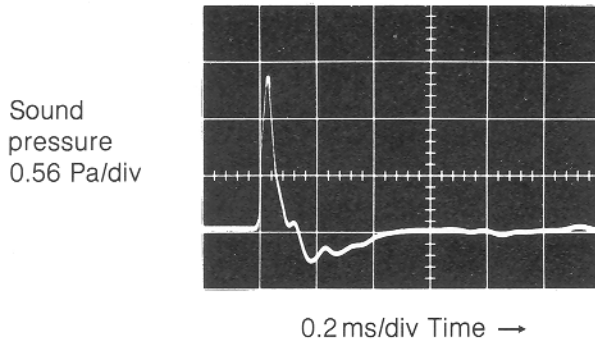
A Sound pressure on and off axis, and impedance:



B Sound pressure and distortion on axis. The distortion components are raised by 20 dB:



C Sound pressure response to 4 Volts step function:



Seas Fabrikker a.s
 P.O.Box 600, Høyden, N-1501 Moss, Norway
 Phone +47-32-65 811
 Telex N 18419
 Note: New telex no. 78419 SEAS N from June 20. 1985