

seas

P 21 RE

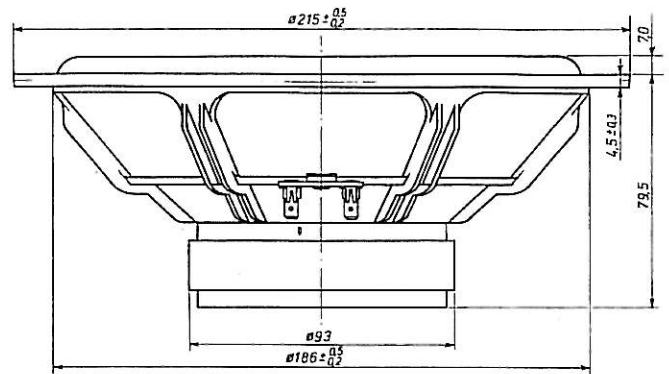
P 21 RE, 8" High Fidelity woofer

H 313

Chassis: magnesium, injection moulded, black.
Surround: rubber.
Cone: polypropylene, black.
Dust Cap: polypropylene.
Mounting holes: 4 x 5 mm, equispaced on PCD 207 mm.

The P 21 RE is an efficient, low coloration polypropylene woofer with a magnet system designed to minimize low frequency distortion, reduce IM and handle high power levels. Although primarily intended for use in medium-sized closed box enclosures, the special su-

sension stiffness characteristic makes it suitable for bass reflex cabinets as well, reducing the delayed cone excursions typical in bass reflex systems at high power levels.



Technical data:

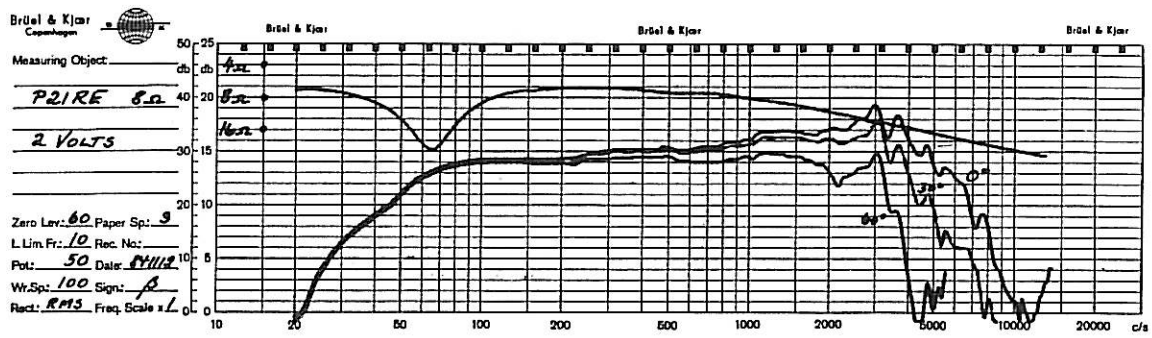
8 ohms

Recommended frequency range	38 - 3000	Hz	Voice coil inductance	1,1	mH
Nominal power (DIN 45573)	60	W	Voice coil resistance	6,1	ohms
Music power (DIN 45 500)	90	W	Effective diaphragm area	230	cm ²
Characteristic sensitivity (1m, 1w)	89	dB SPL	Moving mass	23	g
Operating power (DIN 45500)	5,0	W	Air load mass in baffle	2	g
Voice coil diameter	39	mm	Free air resonance	33	Hz
Voice coil height	12	mm	Mechanical suspension resistance	2,2	Ns/m
Air gap height	6	mm	Thiele - small parameters		
Flux density	0,85	T	Vas	69	litres
Force factor	7,0	Wb/m	Qms	2,4	
Recommended enclosure volumes:			Qes	0,65	
Closed cabinet	20 - 30	litres	Qts	0,51	
Bass reflex cabinet	-	litres			
Weight	1,20	kg			
Magnet weight	0,42	kg			

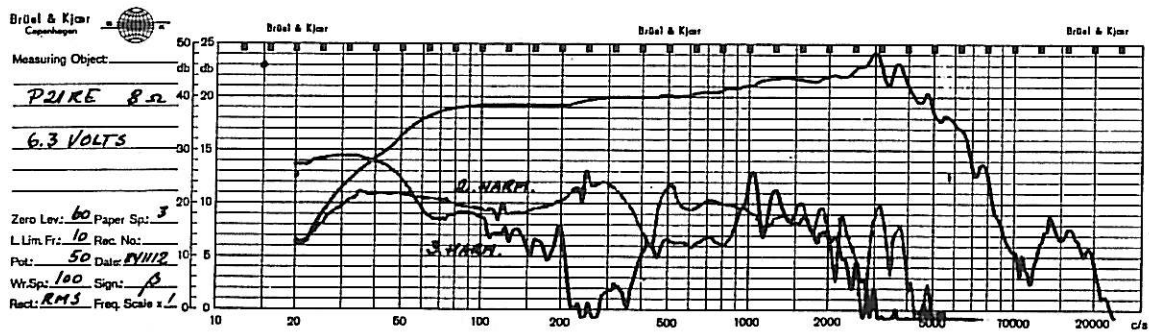
NOTES:

Response curves recorded in anechoic chamber (Free-Field, 4π -radiation) with 0.5 m microphone distance. The loudspeaker is mounted in a closed box of 20 l net volume:

A Sound pressure on and off axis, and impedance:



B Sound pressure and distortion on axis. The distortion components are raised by 20 dB:



C Sound pressure response to 4 Volts step function:

