



# A 33 RE4Y/DC

## A 33 RE4Y/DC, 13" High Fidelity woofer with dual voice coil.

Chassis: aluminium alloy, injection moulded, black.

Surround: rubber.

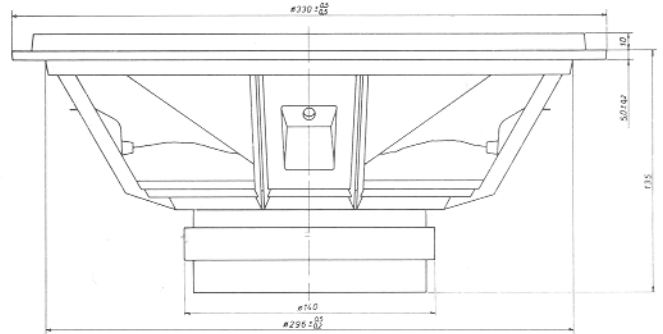
Cone: paper.

Dust Cap: paper, inversely mounted.

Mounting holes: 8 x 5 mm, equispaced on PCD 319 mm.

This woofer is identical to 33 F-WKA except for the voice coil. Instead of one 4 layer coil, it has two 2 layer coils with separate terminals. It may be used as a common woofer together with two satellite speakers. The following data and curves are obtained with the two 8 ohms coils connected in parallel.

Special model



### Technical data:

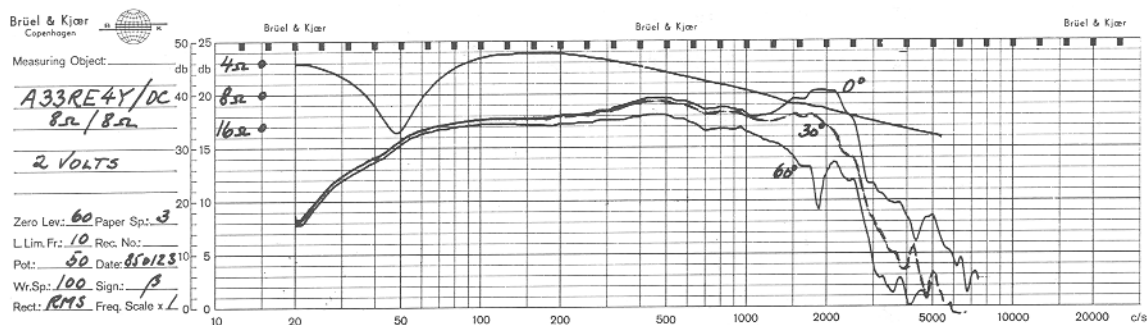
### 8 ohms/8 ohms

Recommended frequency range	25 - 1000	Hz	Voice coil inductance	2,0	mH
Nominal power (DIN 45573)	70	W	Voice coil resistance	2,8	ohms
Music power (DIN 45 500)	120	W	Effective diaphragm area	550	cm <sup>2</sup>
Characteristic sensitivity (Im, lw)	92,5	dB SPL	Moving mass	60	g
Operating power (DIN 45500)	2,2	W	Air load mass in baffle	7	g
Voice coil diameter	39	mm	Free air resonance	23	Hz
Voice coil height	20	mm	Mechanical suspension resistance	2,4	Ns/m
Air gap height	10	mm	Thiele - small parameters		
Flux density	0,95	T	Vas	302	litres
Force factor	9,5	Wb/m	Qms	4,0	
Recommended enclosure volumes:			Qes	0,30	
Closed cabinet	50 - 70	litres	Qts	0,28	
Bass reflex cabinet	60 - 100	litres			
Weight	5,1	kg			
Magnet weight	1,2	kg			

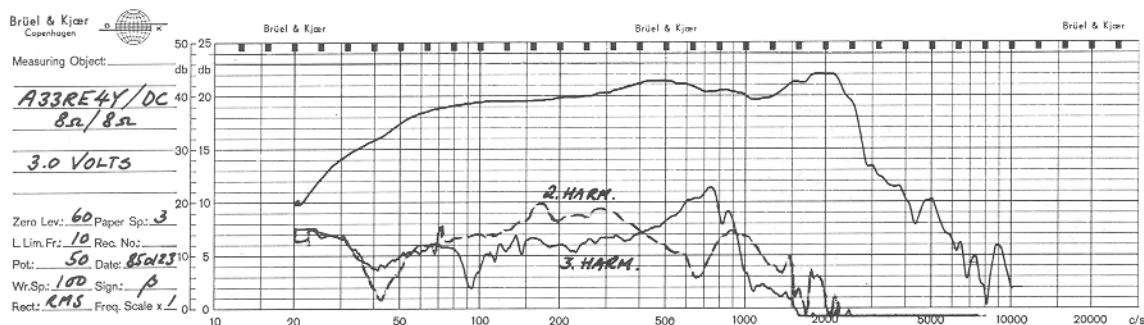
### NOTES:

Response curves recorded in anechoic chamber (Free-Field,  $4\pi$ -radiation) with 0.5 m microphone distance. The loudspeaker is mounted in a closed box of 50 l net volume:

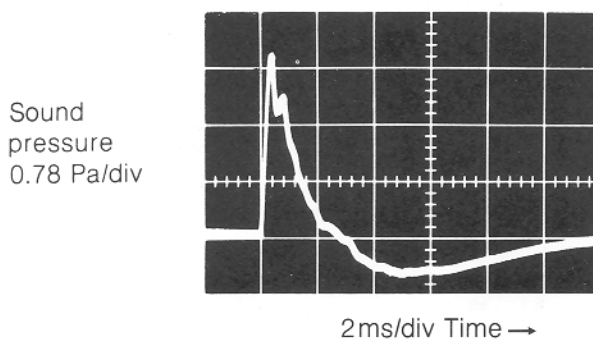
A Sound pressure on and off axis, and impedance:



B Sound pressure and distortion on axis. The distortion components are raised by 20 dB:



C Sound pressure response to 4 Volts step function:



**seas**

Seas Fabrikker a.s  
P.O. Box 600, Høyden, N-1501 Moss, Norway  
Phone +47-32-65 811  
Telex N 18419

Note: New telex no. 78419 SEAS N from June 20. 1985