

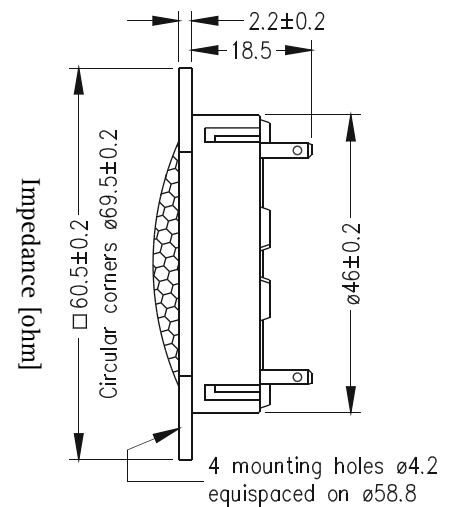
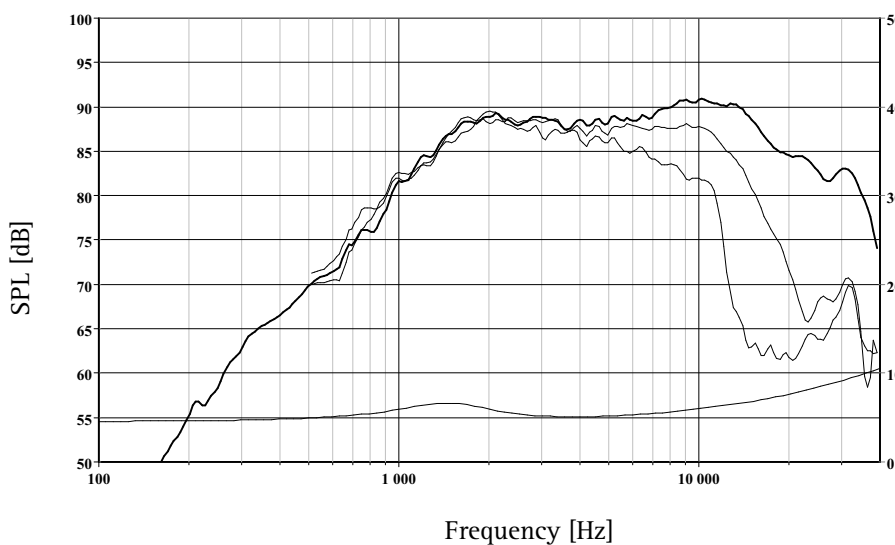
Compact neodymium magnet tweeter with a square chassis for high quality speaker design in small cabinets or automobiles.

Precoated Sonotex fabric diaphragm and suspension allows for very tight production tolerances and high consistency.

A Hexagrid protects the diaphragm.

Very low magnetic stray fields make this unit suitable for A/V systems.

Voice coil immersed in magnetic fluid, allowing high power handling capacity and simplified crossover design.



The frequency responses above show measured free field sound pressure in 0, 30, and 60 degrees, mounted in a 0.6m by 0.8m baffle. Input 2.83 Vrms, microphone distance 0.5m, normalized to SPL 1m. The impedance is measured without baffle using a 2V sine signal.

Nominal Impedance	6 Ohms	Voice Coil Resistance	4.8 Ohms
Recommended Frequency Range	3000 - 25000 Hz	Voice Coil Inductance	0.05 mH
Short Term Power Handling *	220 W	Force Factor	2.45 N/A
Long Term Power Handling *	90 W	Free Air Resonance	1800 Hz
Characteristic Sensitivity (2.83V, 1m)	89 dB	Moving Mass	0.3 g
Voice Coil Diameter	26 mm	Effective Piston Area	7.0 cm ²
Voice Coil Height	1.5 mm	Magnetic Gap Flux Density	1.3 T
Air Gap Height	2.0 mm	Magnet Weight	0.01 kg
Linear Coil Travel (p-p)	0.5 mm	Total Weight	0.1 kg