



# H 295

## 25 TN/T H 295, 1" High Fidelity Dome Tweeter

*Chassis: magnesium, injection moulded, black.*

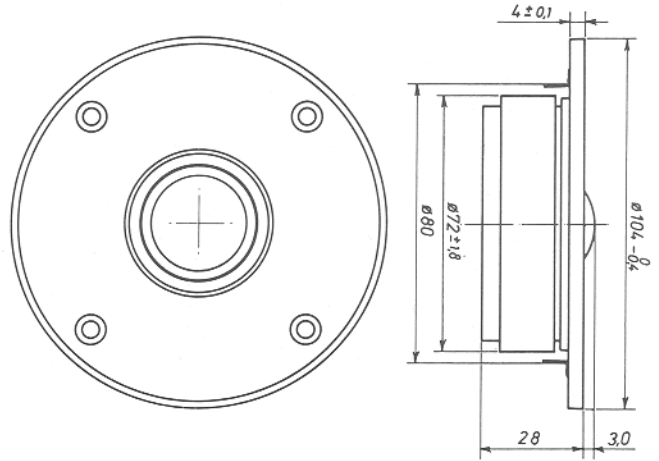
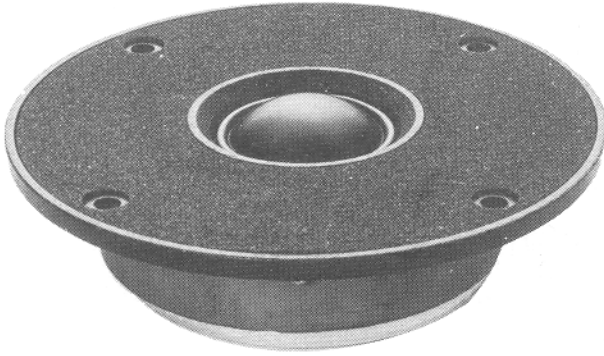
*Decoration insert: foam, dark grey.*

*Diaphragm: soft dome, polyamide, black.*

*Mounting holes: 4 x 4 mm, equispaced on PCD 88 mm*

The H 295 is a 1" dome tweeter featuring high efficiency and smooth response in its operating range. With proper filtering the H 295 can be used in two way systems with more than 50 W power handling capacity. The soft diaphragm is vacuum formed from a high loss plastic foil with a shape optimized for the high frequency range.

The sturdy moulded magnesium alloy chassis and custom foam trim ring not only contribute to the attractive appearance, but actually improve the overall performance. The chassis is available in black or silver finish and the foam trim is readily customized with your choice of colour and printing.



### Technical data:

**6 ohms**

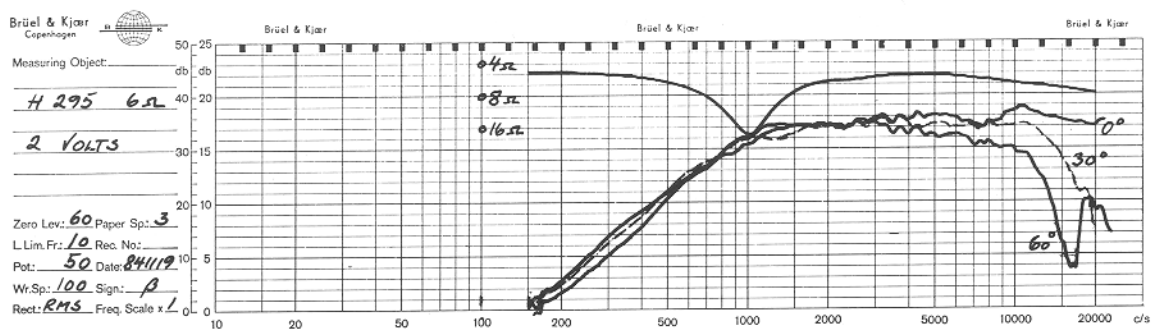
Recommended frequency range	3000-25 000	Hz	Voice coil resistance:	4,8	ohms
Nominal power (DIN 45573)	50	W (1)	Effective diaphragm area	7	cm <sup>2</sup>
Music power (DIN 45500)	-	W	Moving mass	0,3	g
Characteristic sensitivity (1m,1w)	91	dB SPL	Free air resonance	1000	Hz
Operating power (DIN 45500):	3,2	W	Weight	0,56	kg
Voice coil diameter	26	mm	Magnet weight	0,25	kg
Voice coil height	1,5	mm			
Air gap height	2,0	mm			
Flux density:	1,8	T			
Force factor	3,5	Wb/m			

1) Crossover frequency 4000 Hz, 12 dB/oct.

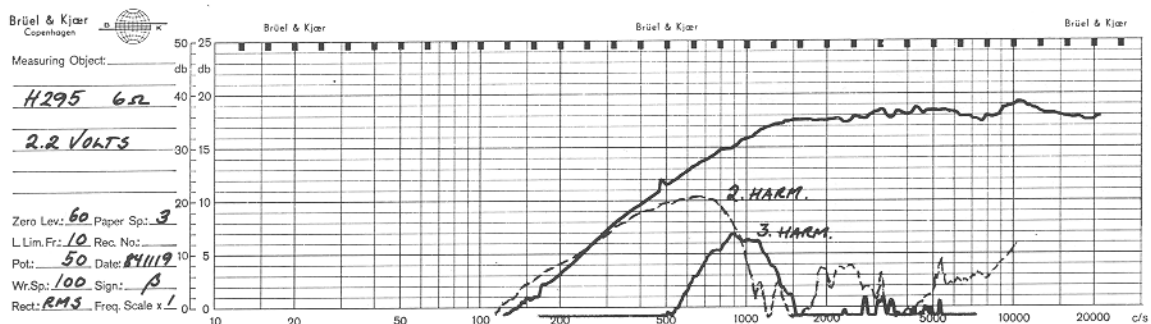
### NOTES:

Response curves recorded in anechoic chamber (Free-Field,  $4\pi$ -radiation) with 0.5 m microphone distance. The loudspeaker is mounted in a 0.6 m by 0.8 m baffle:

A Sound pressure on and off axis, and impedance:



B Sound pressure and distortion on axis. The distortion components are raised by 20 dB:



C Sound pressure response to 4 Volts step function:

