



P 13 RCY

P 13 RCY, 5" High Fidelity bass/midrange unit

Chassis: steel plate, black.

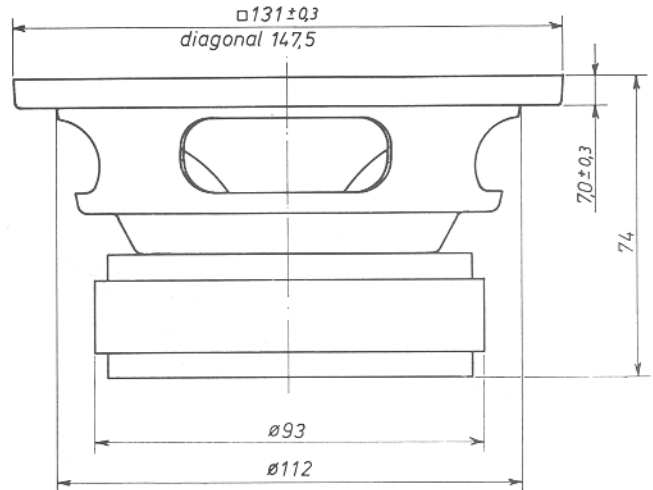
Surround: rubber.

Cone: polypropylene, black.

Mounting holes: 4 x 5 mm, equispaced on PCD 134 mm

The fine low frequency response and clean uncoloured midrange of the P 13 RCY make small high quality two way systems possible. High efficiency and smooth frequency response are the product of the carefully matched polypropylene cone and rubber surround of this unit. The large magnet system provides high sensitivity.

The P 13 RCY may also be applied as a specialized midrange in larger high quality systems. For midrange use a closed rear enclosure with optimized shape and volume is available.



Technical data:

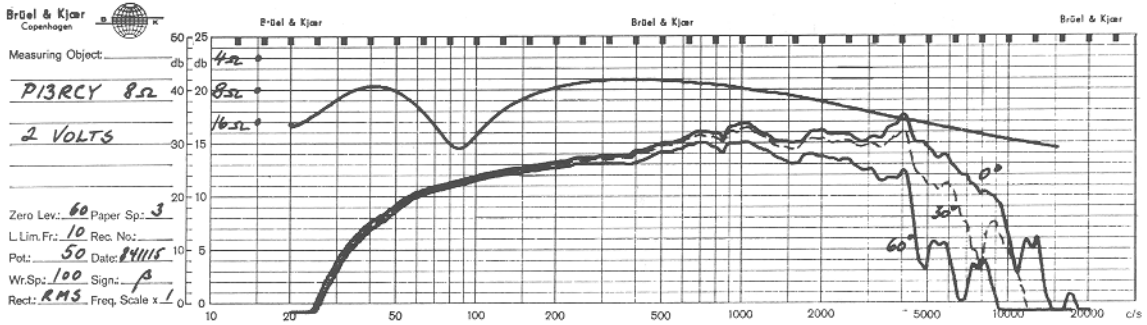
8 ohms

Recommended frequency range	45 - 4000	Hz	Voice coil inductance	1,1	mH
Nominal power (DIN 45573)	40	W	Voice coil resistance	5,7	ohms
Music power (DIN 45 500)	50	W	Effective diaphragm area	80	cm ²
Characteristic sensitivity (1m, 1w)	90	dB SPL	Moving mass	7,0	g
Operating power (DIN 45500)	4,0	W	Air load mass in baffle	0,5	g
Voice coil diameter	26	mm	Free air resonance	43	Hz
Voice coil height	12	mm	Mechanical suspension resistance	1,8	Ns/m
Air gap height	6	mm	Thiele - small parameters		
Flux density	1,25	T	Vas	16	litres
Force factor	7,0	Wb/m	Qms	1,1	
Recommended enclosure volumes:			Qes	0,24	
Closed cabinet	5 - 10	litres	Qts	0,19	
Bass reflex cabinet	7 - 14	litres			
Weight	1,2	kg			
Magnet weight	0,42	kg			

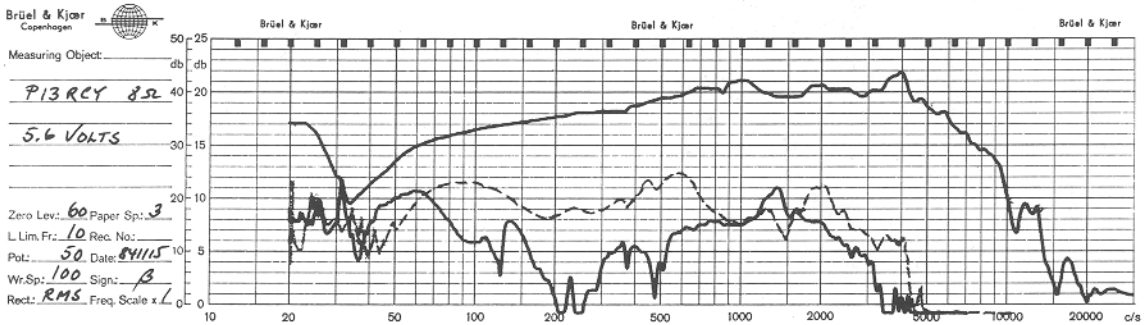
NOTES:

Response curves recorded in anechoic chamber (Free-Field, 4π -radiation) with 0.5 m microphone distance. The loudspeaker is mounted in a bass reflex box of 7 l net volume:

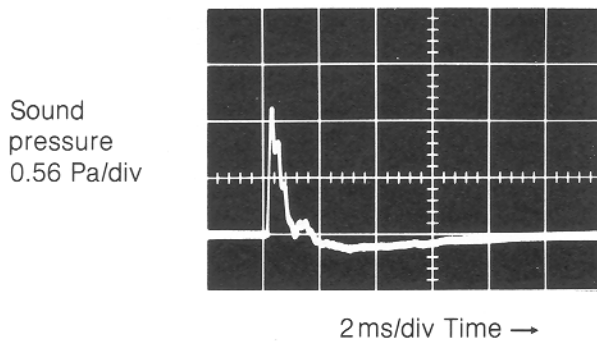
A Sound pressure on and off axis, and impedance:



B Sound pressure and distortion on axis. The distortion components are raised by 20 dB:



C Sound pressure response to 4 Volts step function:



Seas Fabrikker a.s
P.O.Box 600, Høyden, N-1501 Moss, Norway
Phone +47-32-65 811
Telex N 18419

Note: New telex no. 78419 SEAS N from June 20. 1985